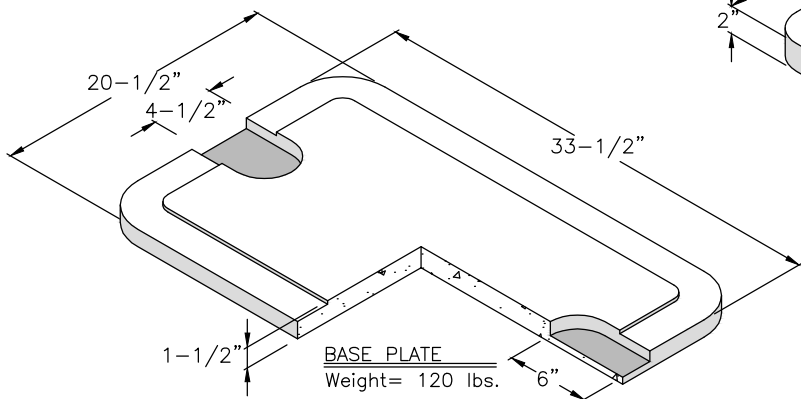
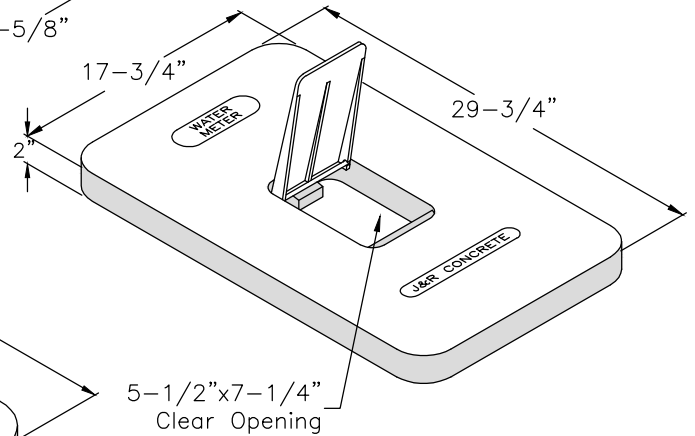


CONC. COVER W/ CAST IRON HINGED LID
Weight= 100 lbs.



**No. W6F Series Meter Box
Designed for 2" or 3" Meters**

J&R CONCRETE PRODUCTS

440 W. MARKHAM ST.
PERRIS, CA. 92571
PHONE:(951) 943-5855 FAX:(951) 940-9207