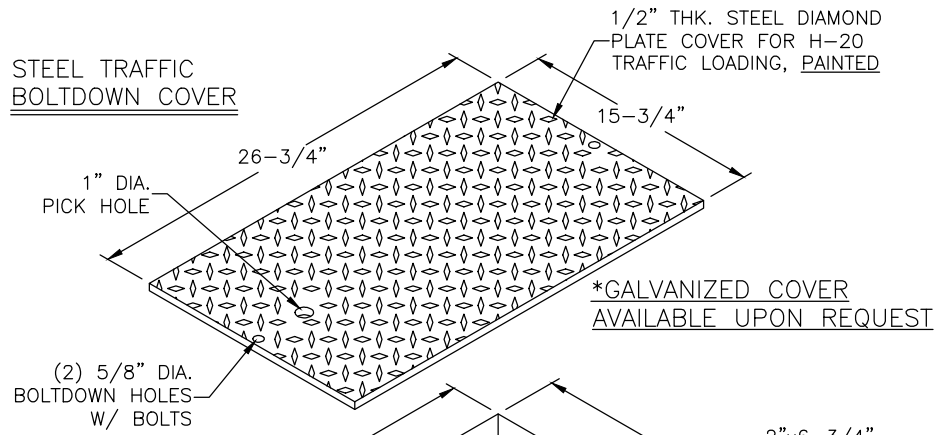
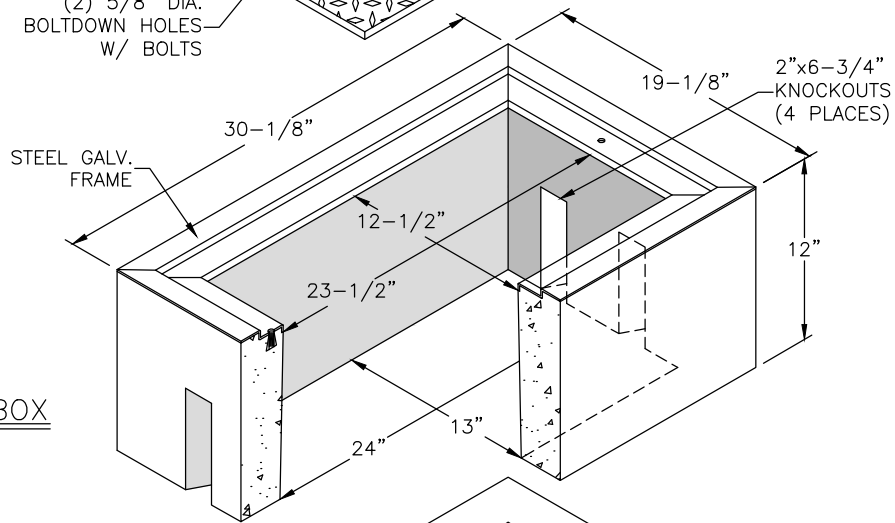


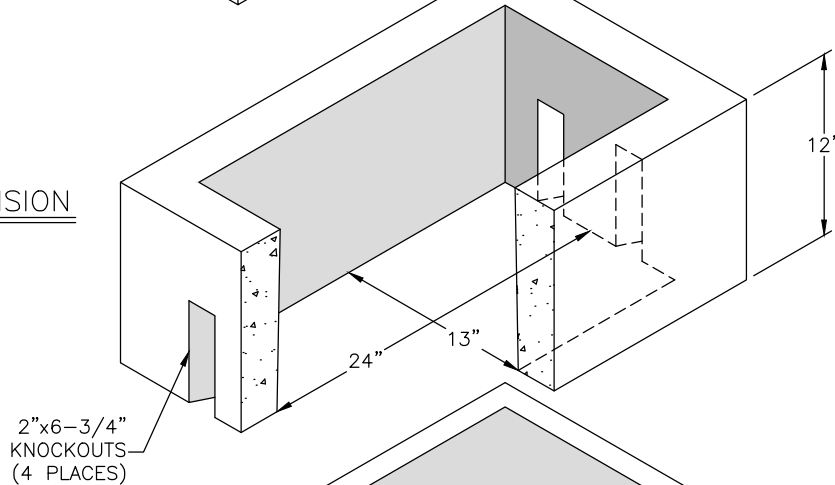
STEEL TRAFFIC
BOLTDOWN COVER



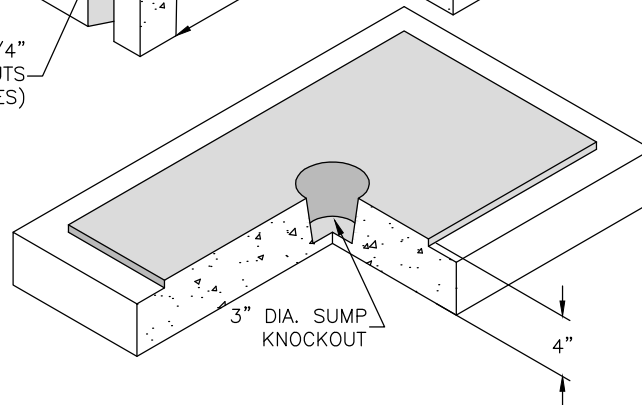
METER BOX



12" EXTENSION



BASE PLATE



**No. W5-T Series Meter Box
W/ H-20 Wheel Loading Cover
Per CALTRANS Specifications**

J&R CONCRETE PRODUCTS

440 W. MARKHAM ST.
PERRIS, CA. 92571
PHONE:(951) 943-5855 FAX:(951) 940-9207