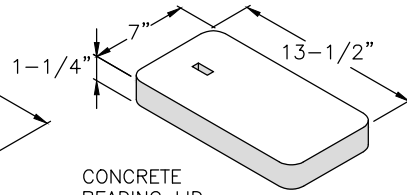
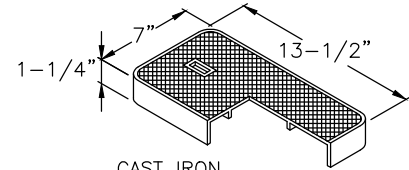


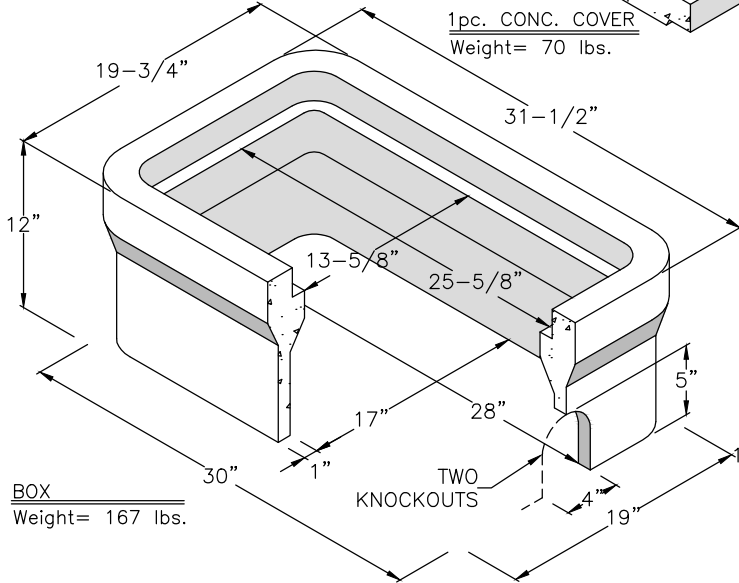
1pc. CONC. COVER
Weight= 70 lbs.



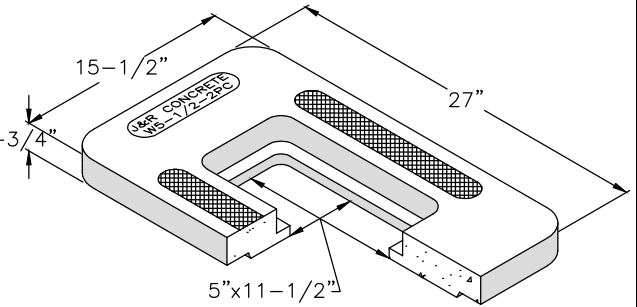
CONCRETE READING LID
Weight= 11 lbs.



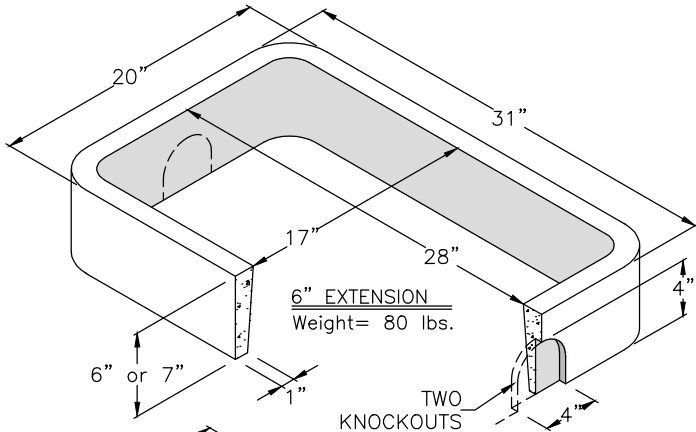
CAST IRON READING LID
Weight= 10 lbs.



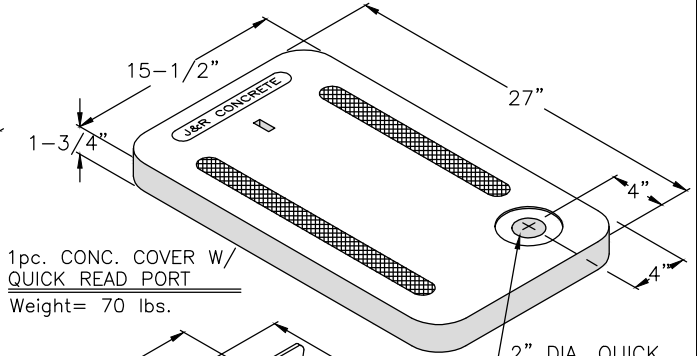
BOX
Weight= 167 lbs.



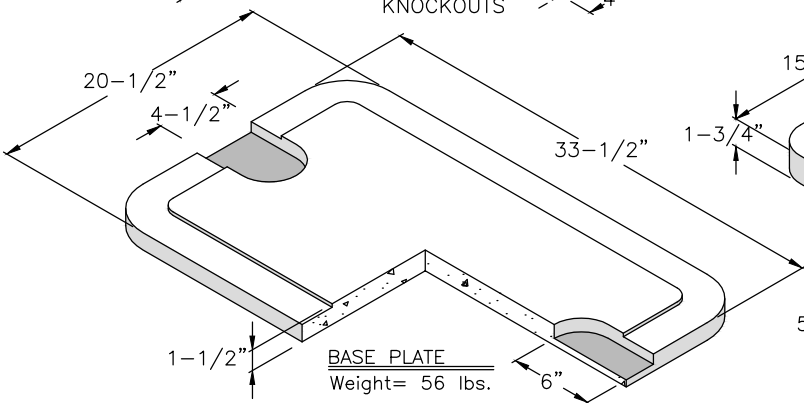
2pc. CONC. COVER
Weight= 57 lbs.



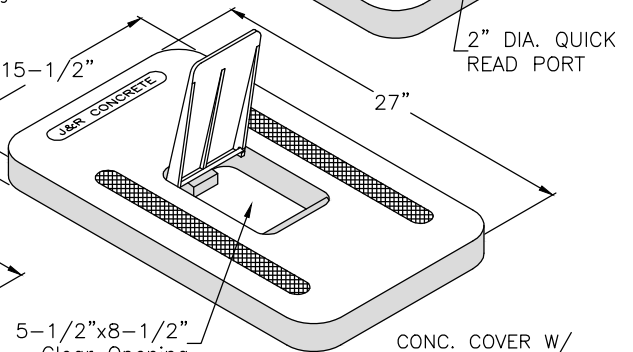
6" EXTENSION
Weight= 80 lbs.



1pc. CONC. COVER W/ QUICK READ PORT
Weight= 70 lbs.



BASE PLATE
Weight= 56 lbs.



CONC. COVER W/ C.I HINGED LID
Weight= 64 lbs.

**No. W5-1/2 Series Meter Box
Designed for 1-1/2" or 2" Meters**

J&R CONCRETE PRODUCTS

440 W. MARKHAM ST.
PERRIS, CA. 92571
PHONE:(951) 943-5855 FAX:(951) 940-9207