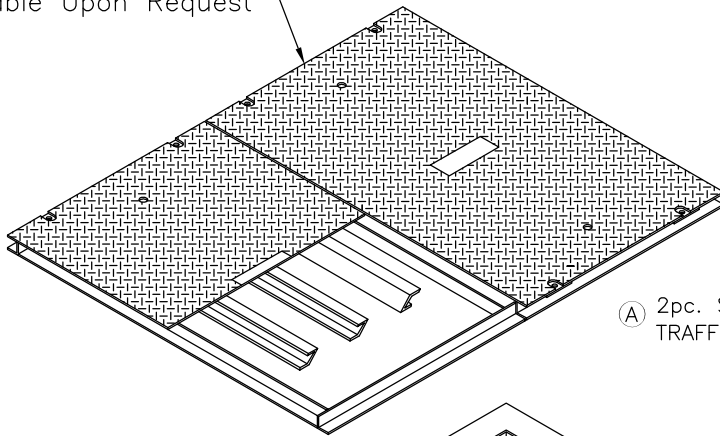


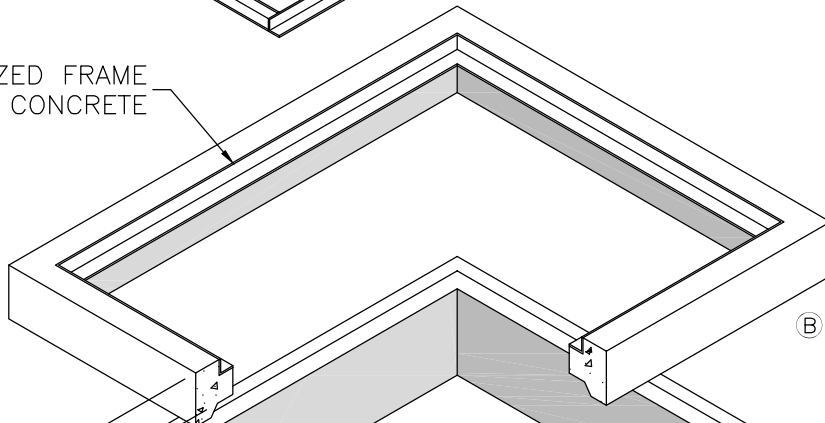
Painted or Galvanized Available Upon Request

*ALUMINUM & STEEL SPRING ASSIST COVERS AVAILABLE UPON REQUEST

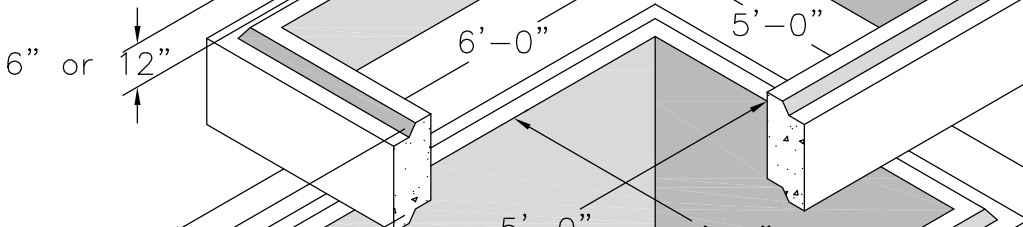


(A) 2pc. STEEL BOLTDOWN TRAFFIC / PARKWAY COVER

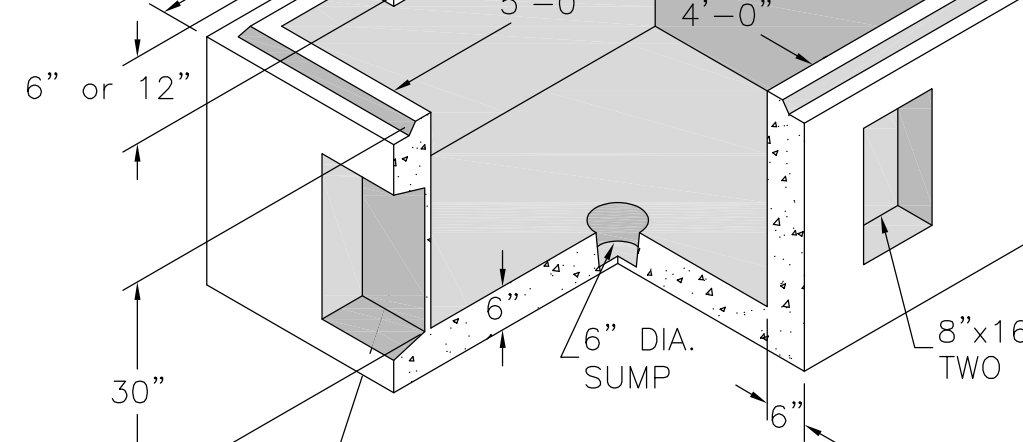
STEEL GALVANIZED FRAME CAST IN CONCRETE



(B) TOP SECTION W/ FLUSH FRAME



(C) EXTENSION SECTION



(D) BOTTOM SECTION

30"

20"x20" KNOCKOUTS ONE IN EACH END WALL

8"x16" KNOCKOUTS TWO IN EACH SIDE WALL

**Minimum Excavation: 6'-0"x7'-0"xDepth Req'd

4'-0" X 5'-0" CLOSED BOTTOM UTILITY VAULT W/ STEEL TRAFFIC COVER or STEEL PARKWAY COVER

Notes:

1. Traffic Covers Are Designed For AASHTO H-20 Wheel Loading, But Are Not Intended For Direct Traffic Installations.
2. Parkway Covers Are Designed For A Live Load of 300 p.s.f.