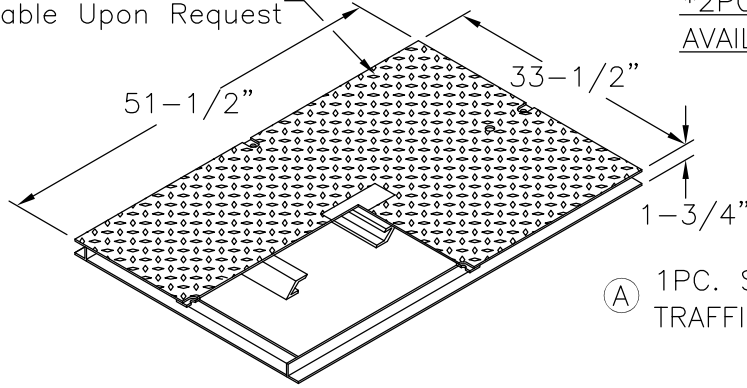
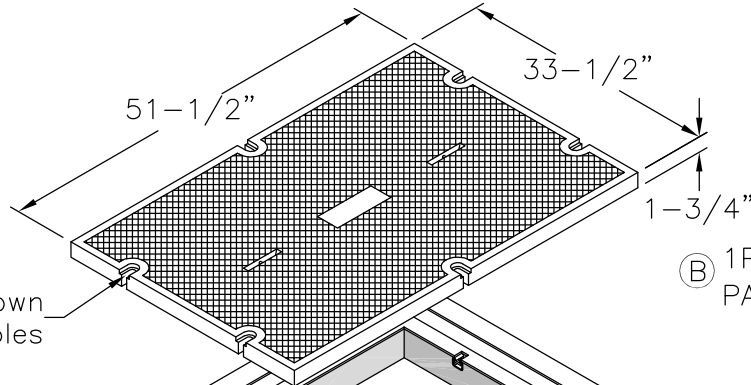


Painted or Galvanized
Available Upon Request

*2PC. BOLTDOWN COVER
AVAILABLE UPON REQUEST

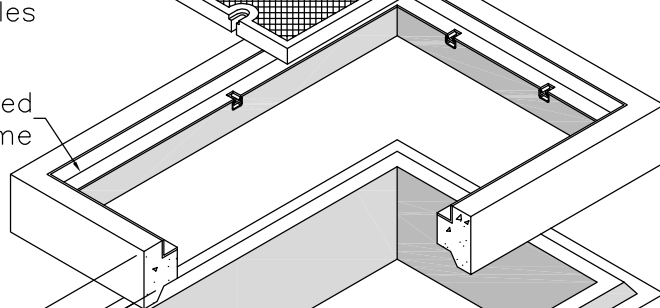


(A) 1PC. STEEL BOLTDOWN TRAFFIC OR PARKWAY COVER

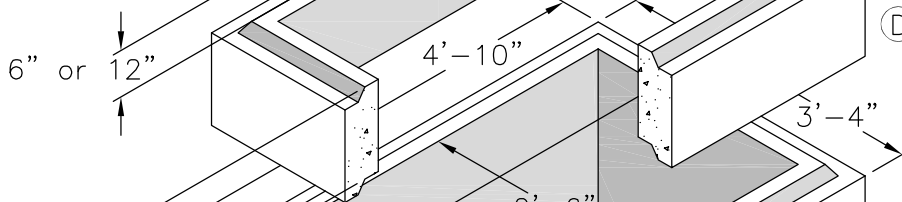


(B) 1PC. POLYMER CONCRETE PARKWAY COVER

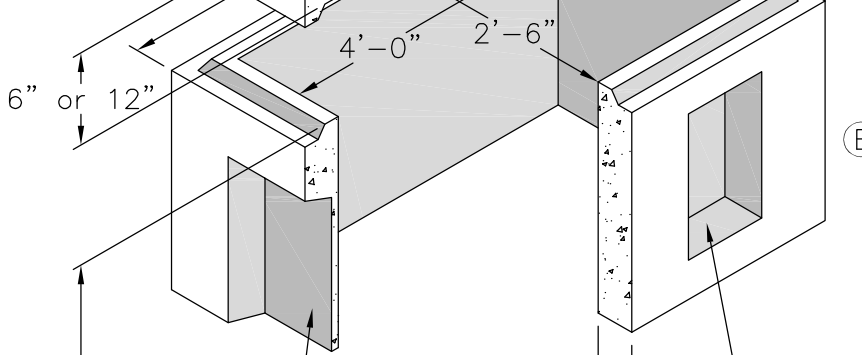
Steel Galvanized Frame



(C) TOP SECTION W/ FLUSH FRAME



(D) EXTENSION SECTION



(E) LOWER SECTION

(2) 20"X20" K.O'S
(1 PER END WALL)

(4) 8"X16" K.O'S
(2 PER SIDE WALL)

**Minimum Excavation: 4'-4"x5'-10"xDepth Req'd

**2'-6" X 4'-0" OPEN BOTTOM
FLAT WALL PULL BOX W/
STANDARD COVERS**

NOTES

1. Traffic Covers Are Designed For AASHTO H-20 Wheel Loading, But Are Not Intended For Direct Traffic Installations.
2. Parkway Covers Are Designed For A Live Load of 300 p.s.f