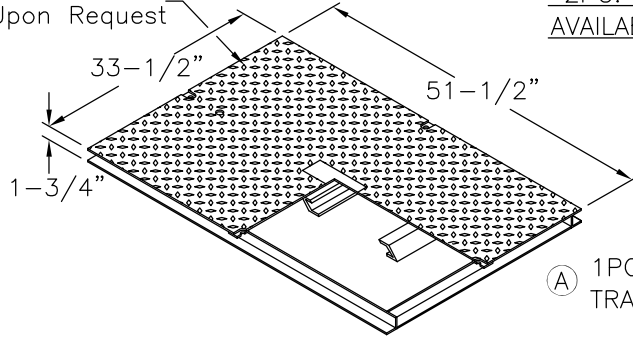
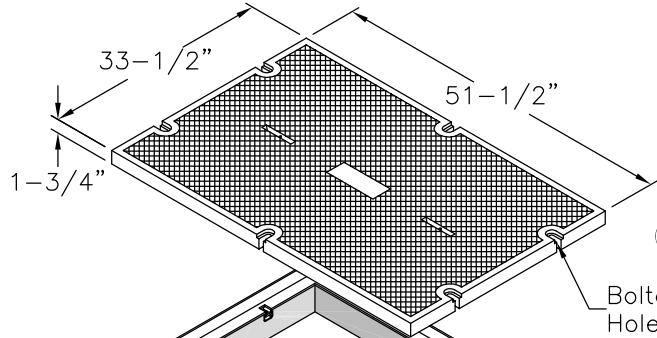


Painted or Galvanized Available Upon Request

\*2PC. BOLTDOWN COVER  
AVAILABLE UPON REQUEST

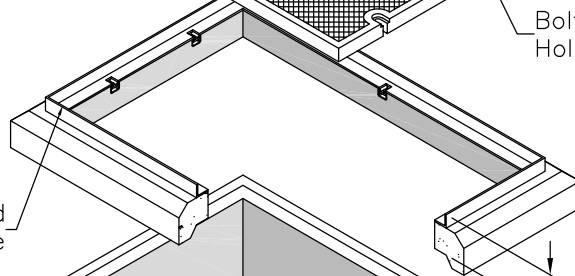


(A) 1PC. STEEL BOLTDOWN TRAFFIC OR PARKWAY COVER

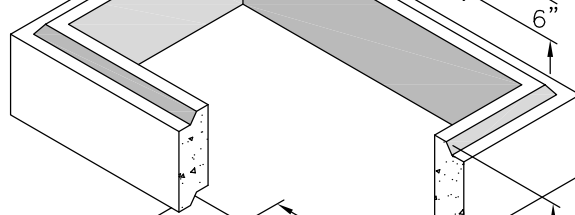


(B) 1PC. POLYMER CONCRETE PARKWAY COVER

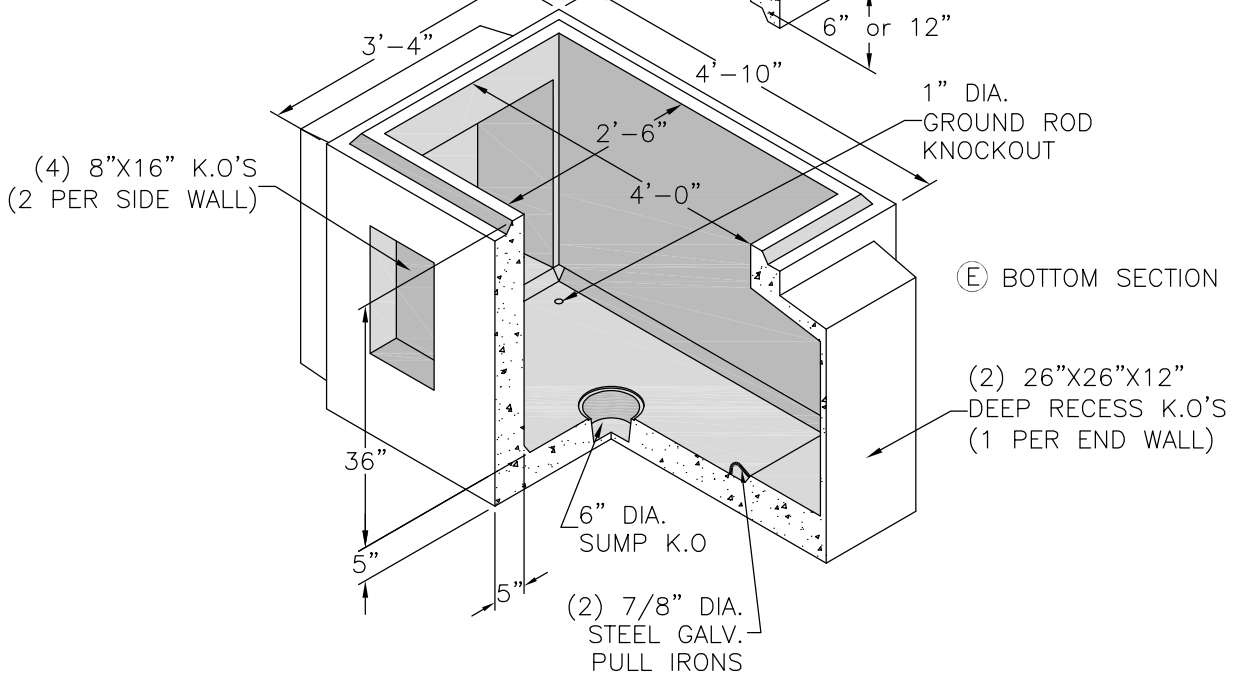
Steel Galvanized Exposed Frame



(C) TOP SECTION W/ EXPOSED FRAME



(D) EXTENSION SECTION



(E) BOTTOM SECTION

\*\*Minimum Excavation: 4'-4"x7'-2"xDepth Req'd

**2'-6" X 4'-0" CLOSED BOTTOM  
DEEP RECESS PULL BOX W/  
EXPOSED STEEL FRAME**

NOTES

1. Traffic Covers Are Designed For AASHTO H-20 Wheel Loading, But Are Not Intended For Direct Traffic Installations.
2. Parkway Covers Are Designed For A Live Load of 300 p.s.f