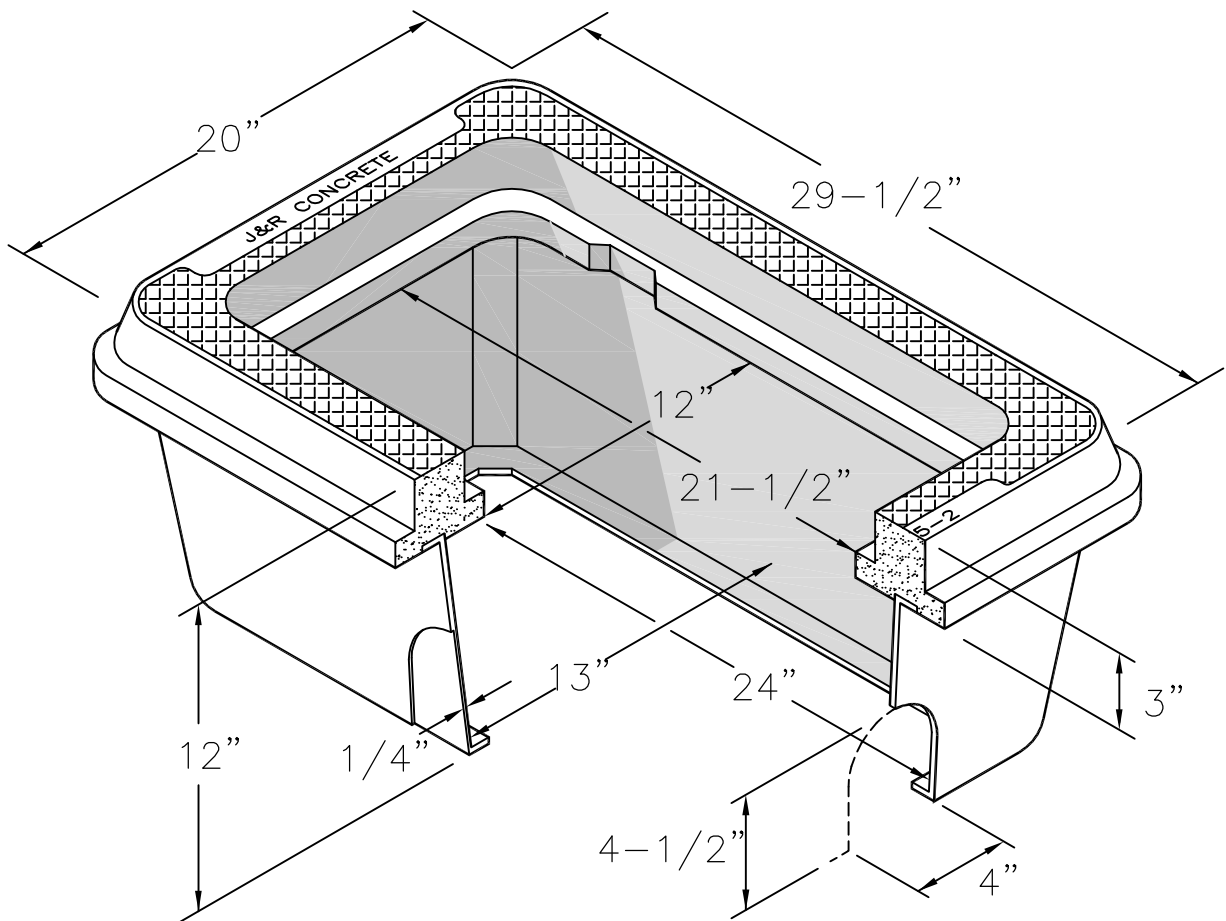
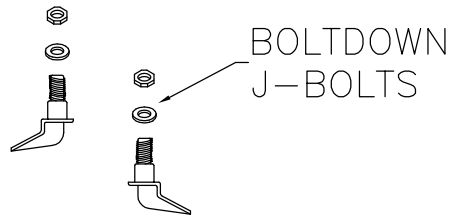


1pc. POLYMER COVER



P-E5-2 PULL BOX

**P-E5-2 Polymer Series / 13"x24"
Electrical Pullbox w/ Fiberglass
Body & Polymer Concrete Ring**

J&R CONCRETE PRODUCTS

440 W. MARKHAM ST.
PERRIS, CA. 92571
PHONE:(951) 943-5855 FAX:(951) 940-9207