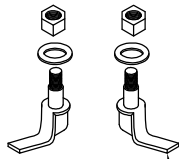
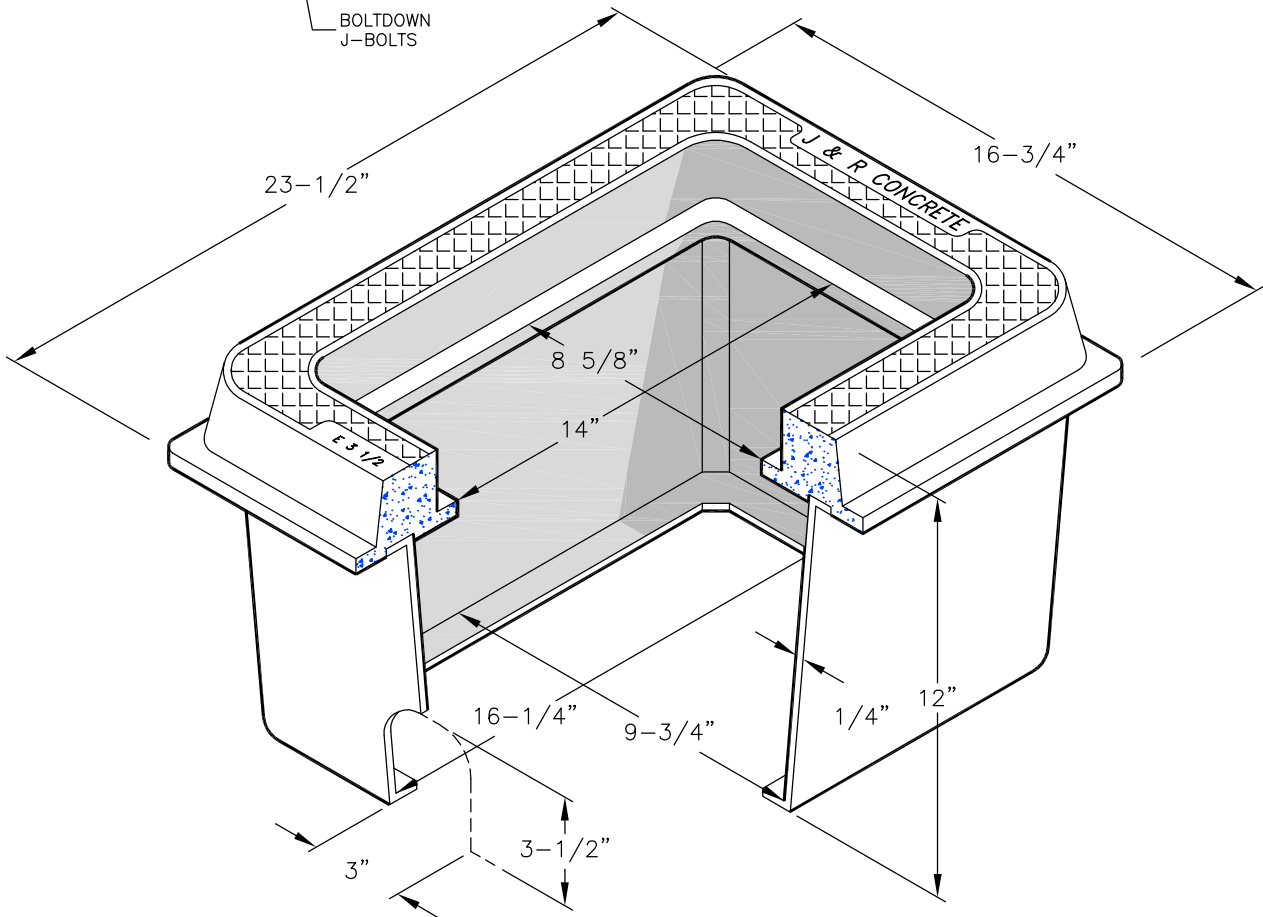


POLYMER CONCRETE COVER



BOLTDOWN J-BOLTS



FIBERGLASS BOX W/
POLYMER CONC. RING

**P-E3 1/2 Polymer Series / 10" x 17"
Electrical Pullbox w/ Fiberglass
Body & Polymer Concrete Ring**

J&R CONCRETE PRODUCTS

440 W. MARKHAM ST.
PERRIS, CA. 92571
PHONE:(951) 943-5855 FAX:(951) 940-9207