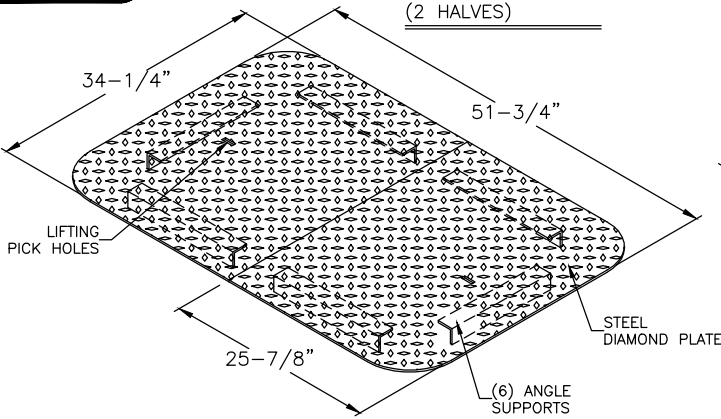
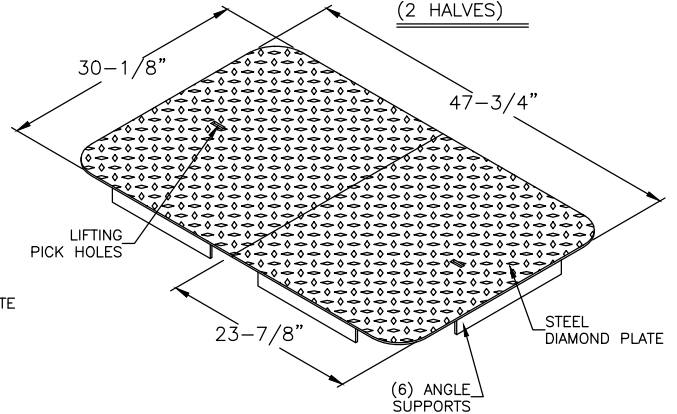


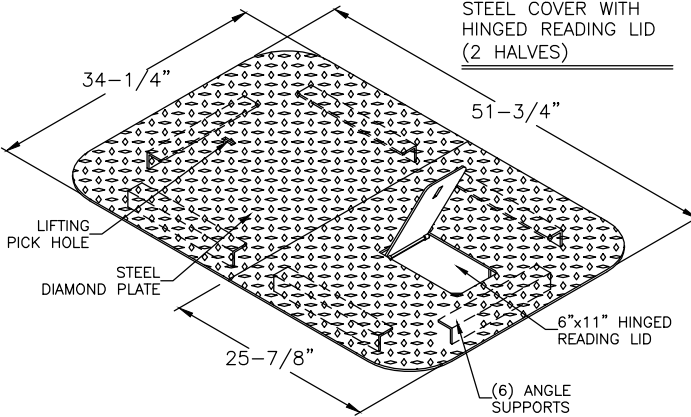
TS SUPERIMPOSED  
STEEL COVER  
(2 HALVES)



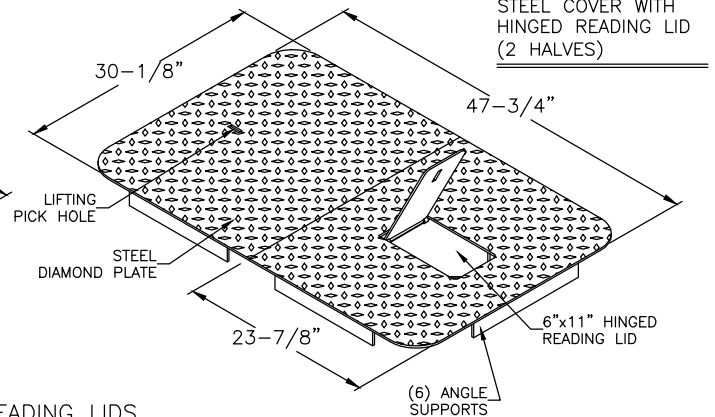
TF FLUSH  
STEEL COVER  
(2 HALVES)



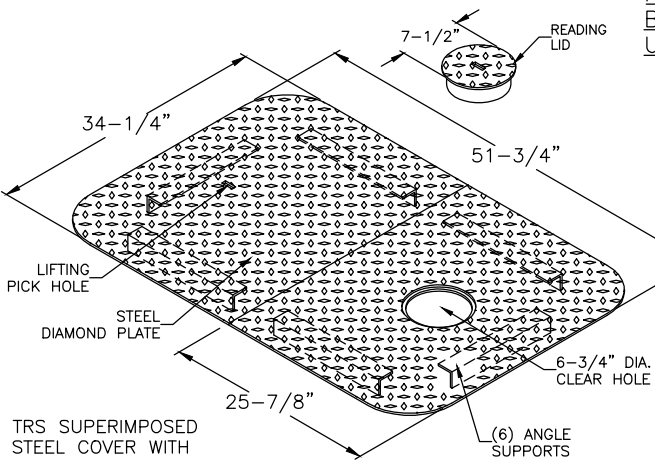
THS SUPERIMPOSED  
STEEL COVER WITH  
HINGED READING LID  
(2 HALVES)



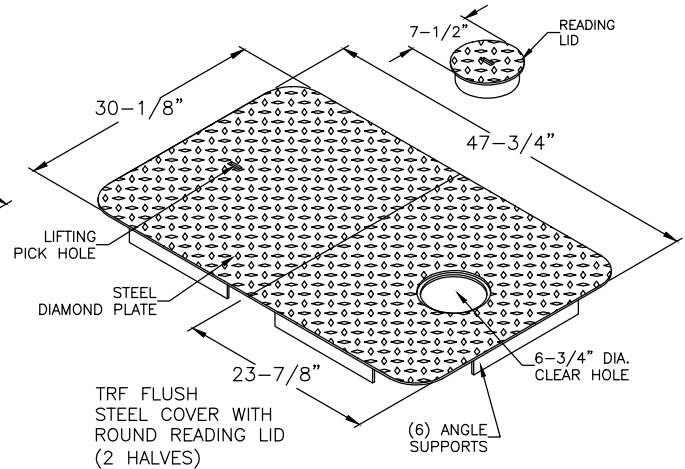
THF FLUSH  
STEEL COVER WITH  
HINGED READING LID  
(2 HALVES)



**\*\*READING LIDS  
AVAILABLE ON  
BOTH HALVES  
UPON REQUEST\*\***



TRS SUPERIMPOSED  
STEEL COVER WITH  
ROUND READING LID  
(2 HALVES)



TRF FLUSH  
STEEL COVER WITH  
ROUND READING LID  
(2 HALVES)

**W8 SERIES STEEL  
DIAMOND PLATE COVERS**

**J&R CONCRETE PRODUCTS**

440 W. MARKHAM ST.  
PERRIS, CA. 92571  
PHONE:(951) 943-5855 FAX:(951) 940-9207