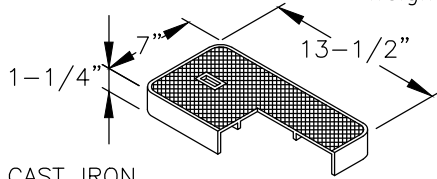
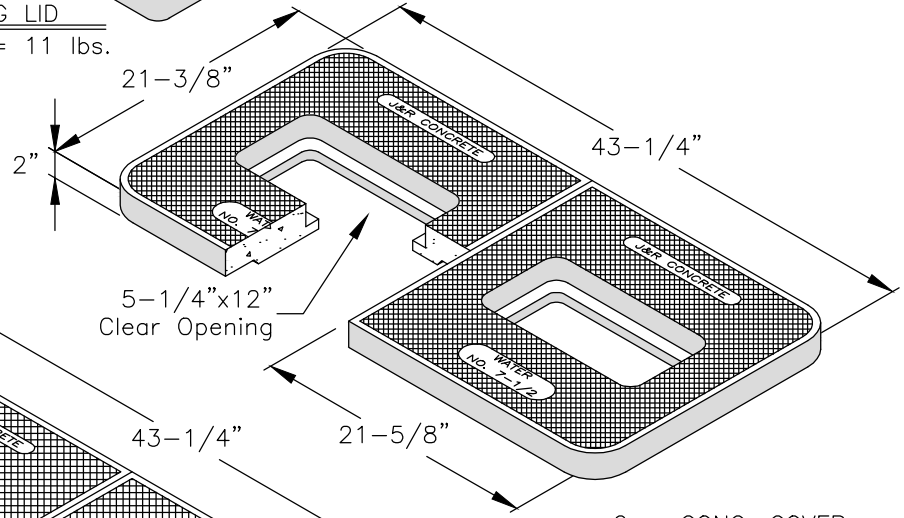


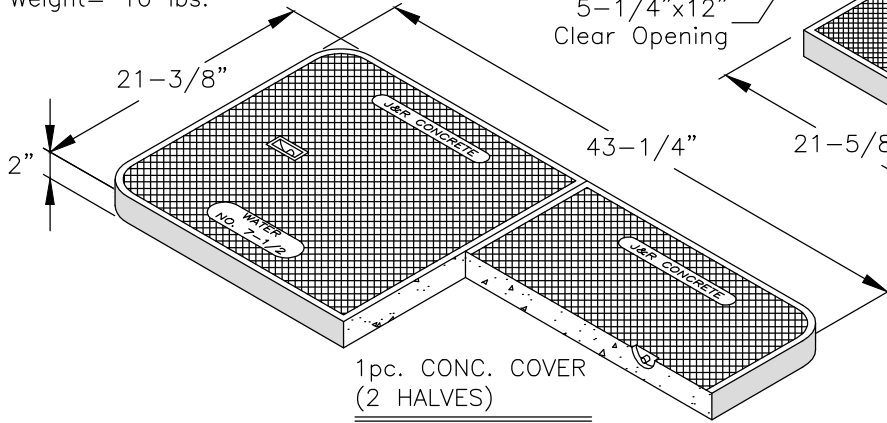
CONCRETE READING LID  
Weight= 11 lbs.



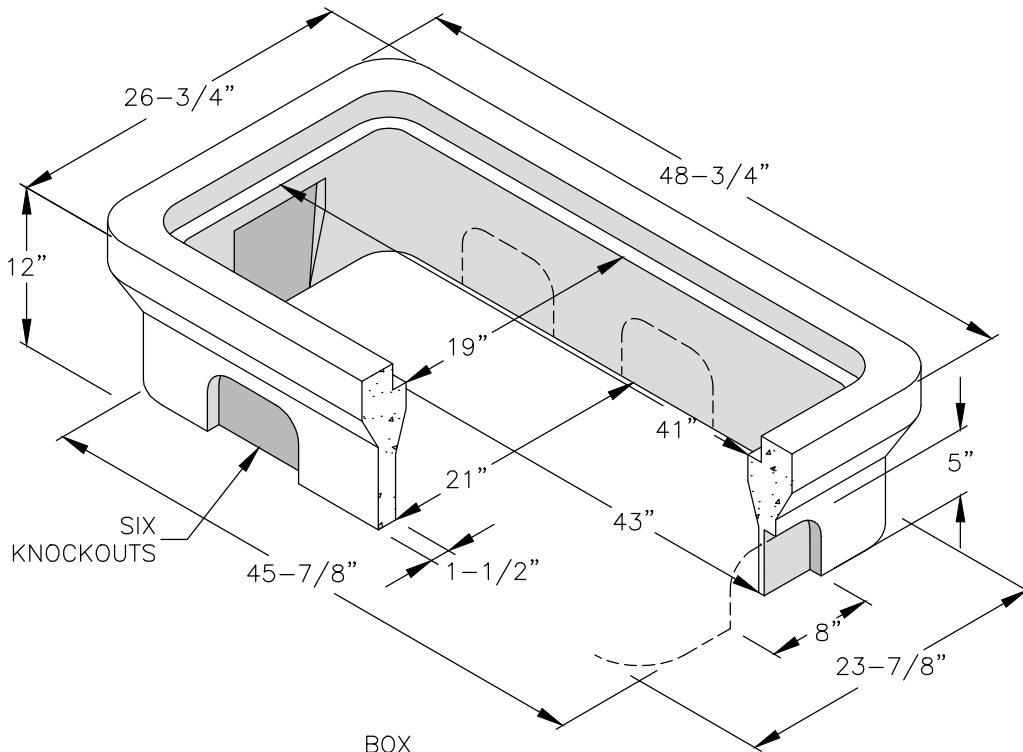
CAST IRON READING LID  
Weight= 10 lbs.



2pc. CONC. COVER (2 HALVES)  
Weight= 168 lbs.



1pc. CONC. COVER (2 HALVES)  
Weight= 186 lbs.



BOX  
Weight= 300 lbs.

**No. W7-1/2 Series Meter Box  
Designed for 4" or 6" Meters**

**J&R CONCRETE PRODUCTS**

440 W. MARKHAM ST.  
PERRIS, CA. 92571  
PHONE:(951) 943-5855 FAX:(951) 940-9207