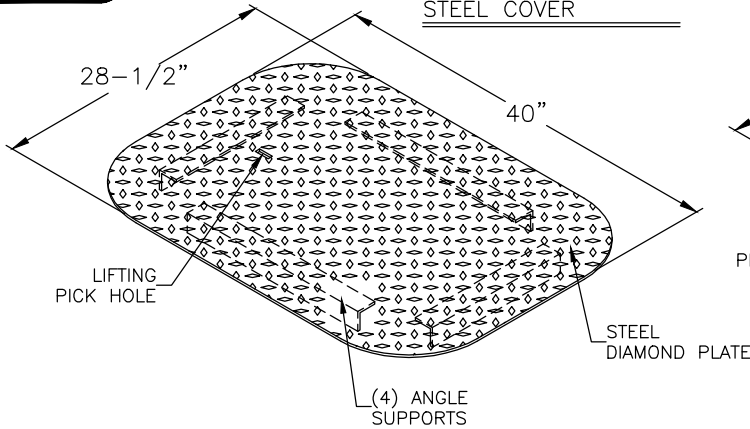
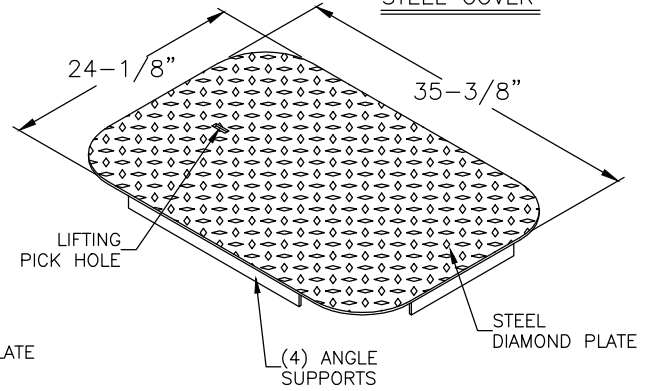


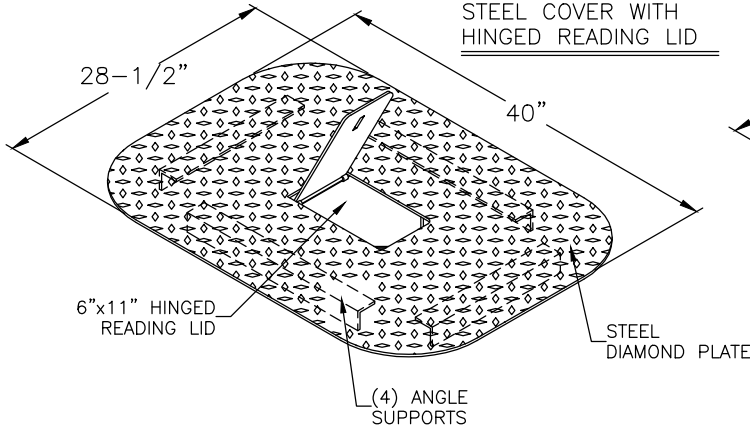
TS SUPERIMPOSED
STEEL COVER



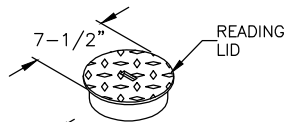
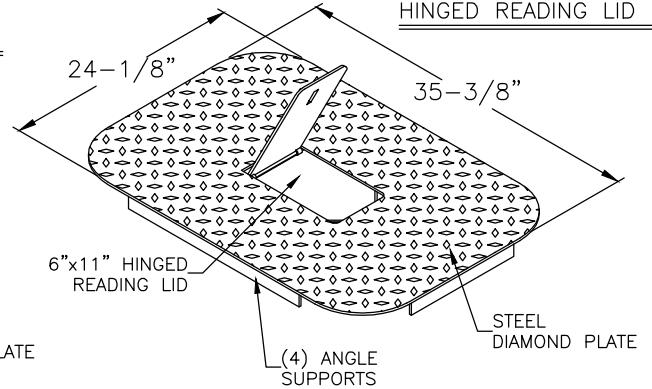
TF FLUSH
STEEL COVER



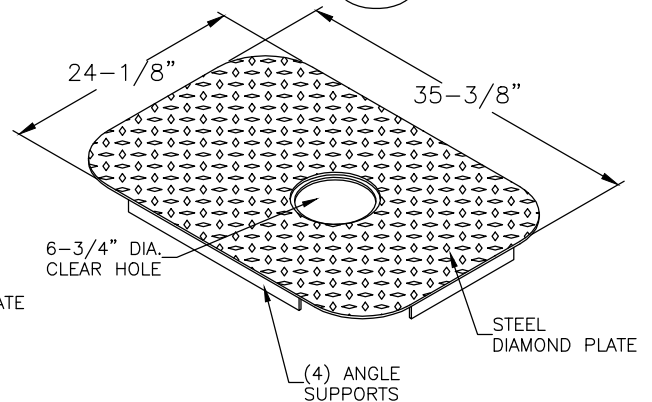
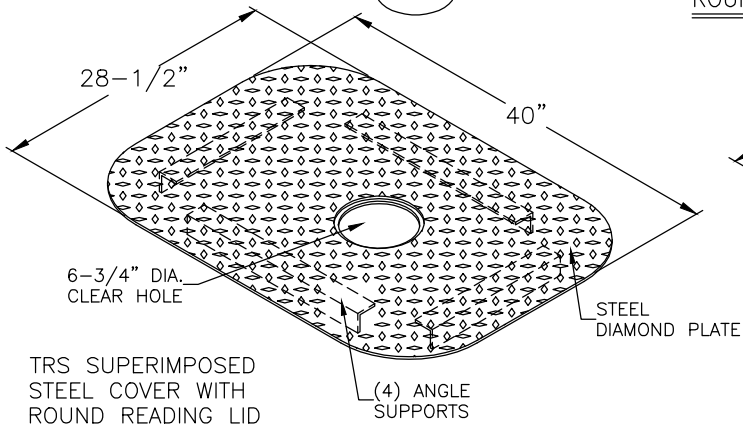
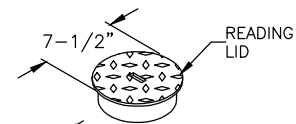
THS SUPERIMPOSED
STEEL COVER WITH
HINGED READING LID



THF FLUSH
STEEL COVER WITH
HINGED READING LID



TRF FLUSH
STEEL COVER WITH
ROUND READING LID



**W7 SERIES STEEL
DIAMOND PLATE COVERS**

J&R CONCRETE PRODUCTS

440 W. MARKHAM ST.
PERRIS, CA. 92571
PHONE:(951) 943-5855 FAX:(951) 940-9207