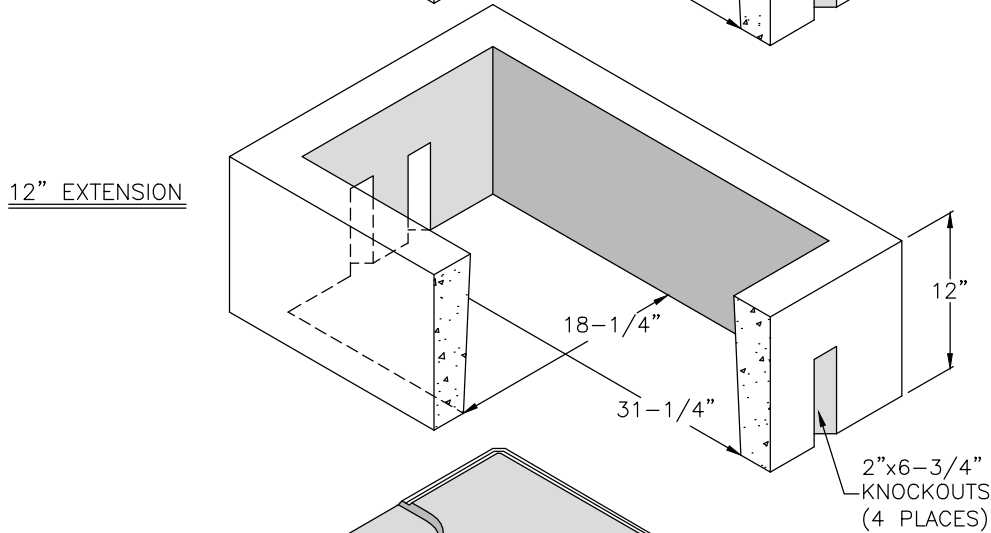
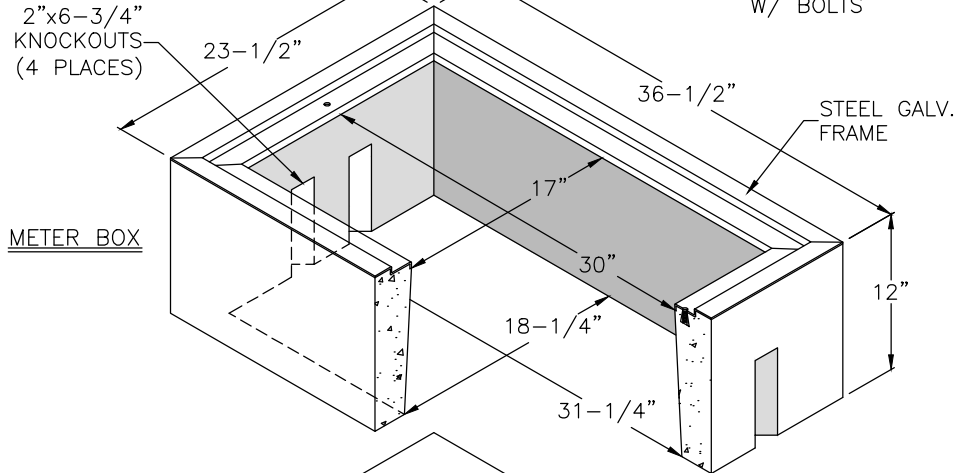
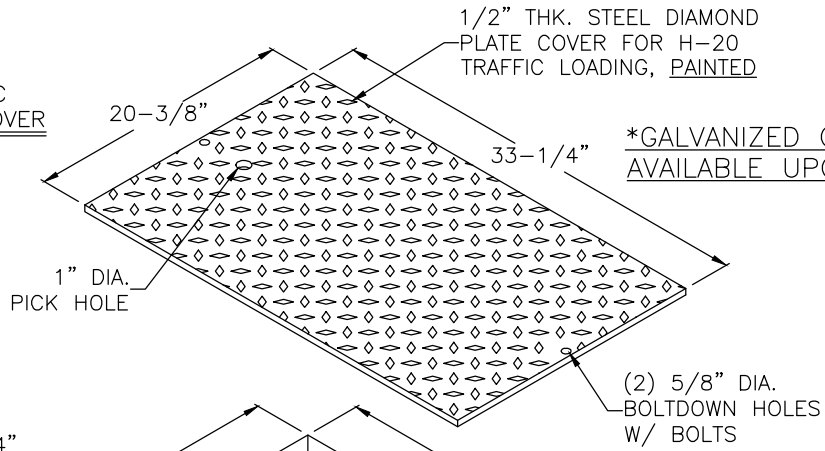
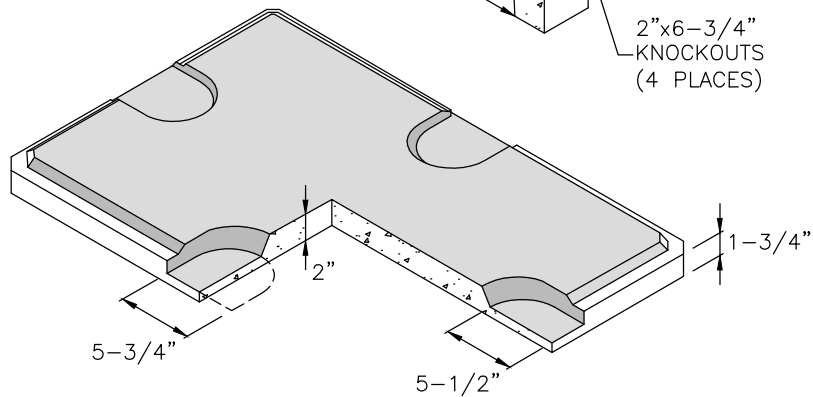


STEEL TRAFFIC  
BOLTDOWN COVER



BASE PLATE



**No. W6-T Series Meter Box  
W/ H-20 Wheel Loading Cover  
Per CALTRANS Specifications**

**J&R CONCRETE PRODUCTS**

440 W. MARKHAM ST.  
PERRIS, CA. 92571  
PHONE:(951) 943-5855 FAX:(951) 940-9207