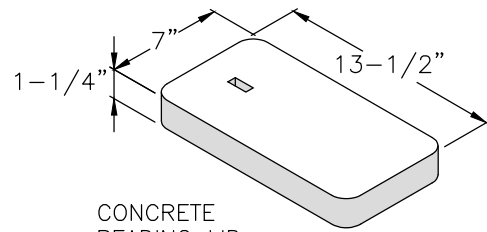
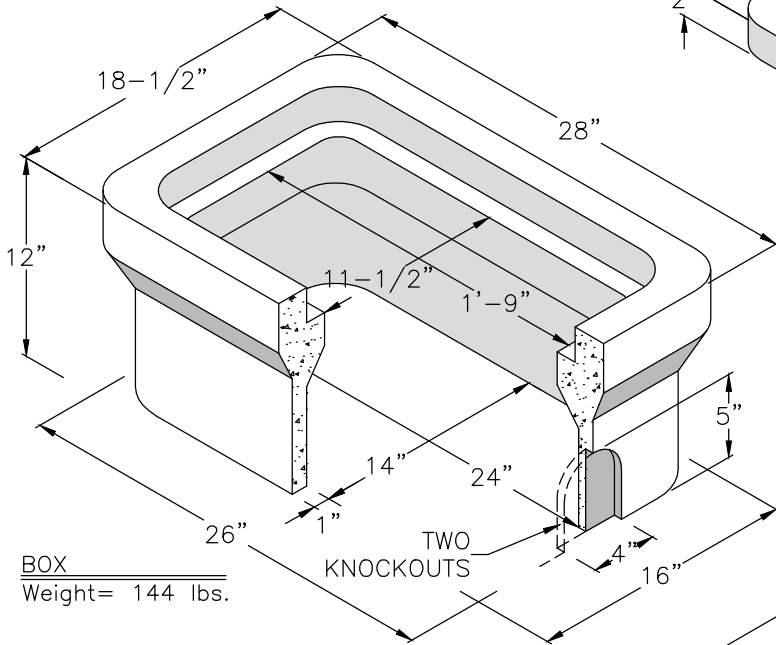


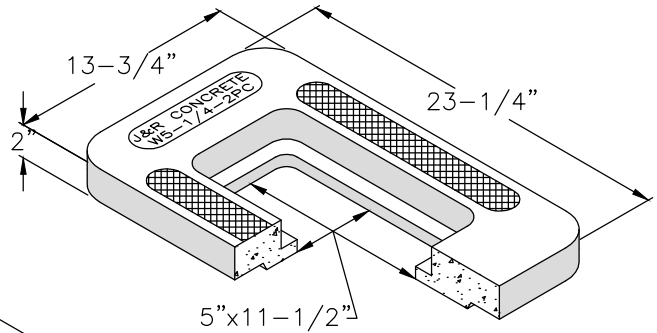
1pc CONC. COVER
Weight= 42 lbs.



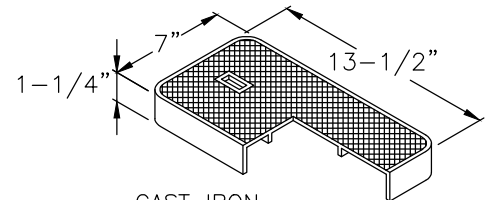
CONCRETE READING LID
Weight= 11 lbs.



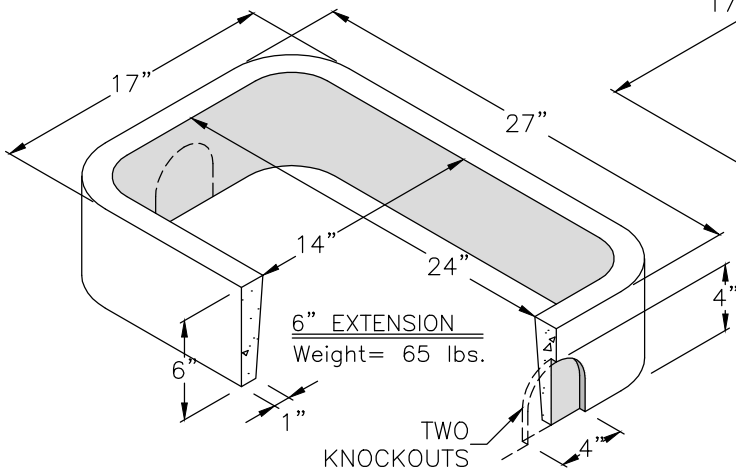
BOX
Weight= 144 lbs.



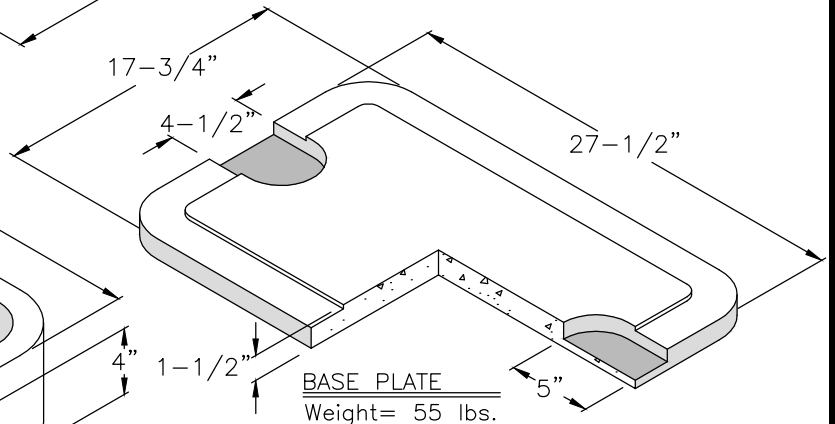
2pc. CONC. COVER
Weight= 39 lbs.



CAST IRON READING LID
Weight= 10 lbs.



6" EXTENSION
Weight= 65 lbs.



BASE PLATE
Weight= 55 lbs.

**No. W5-1/4 Series Meter Box
Designed for 1-1/2" Meters**

J&R CONCRETE PRODUCTS

440 W. MARKHAM ST.
PERRIS, CA. 92571
PHONE:(951) 943-5855 FAX:(951) 940-9207