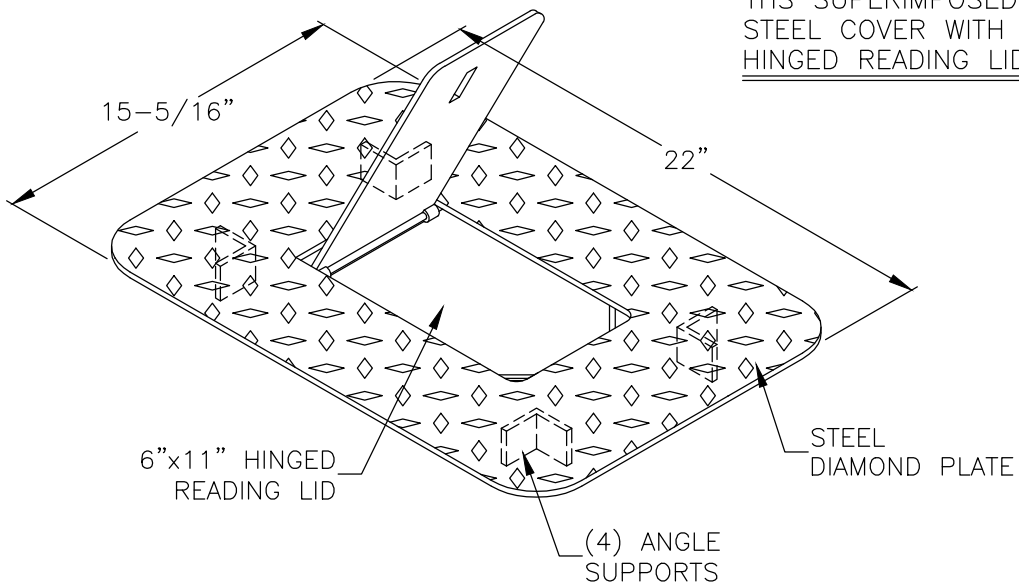


THE FLUSH  
STEEL COVER WITH  
HINGED READING LID



THE SUPERIMPOSED  
STEEL COVER WITH  
HINGED READING LID

**W4-1/2 SERIES STEEL  
DIAMOND PLATE COVERS**

**J&R CONCRETE PRODUCTS**

440 W. MARKHAM ST.  
PERRIS, CA. 92571  
PHONE:(951) 943-5855 FAX:(951) 940-9207