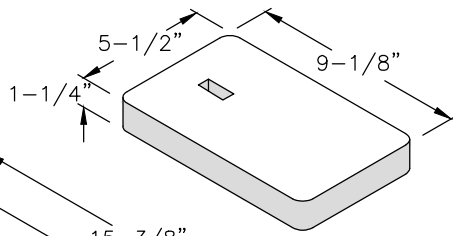
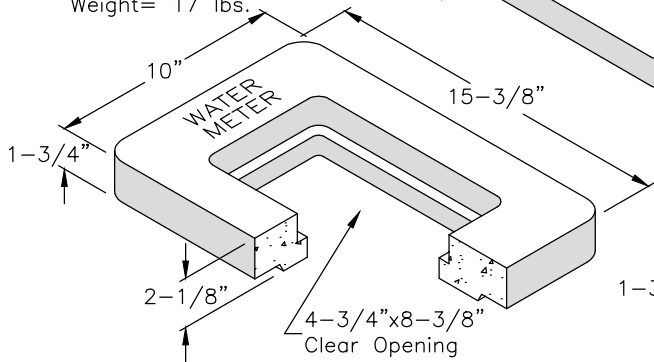


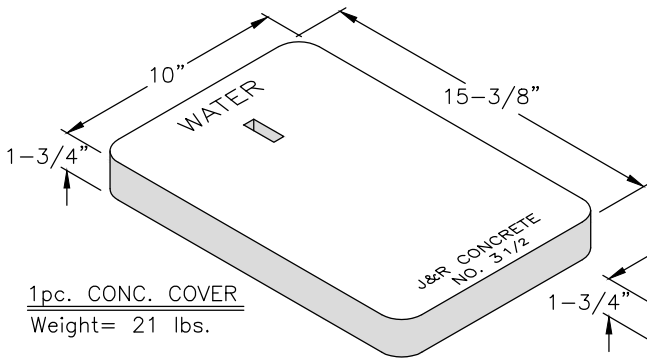
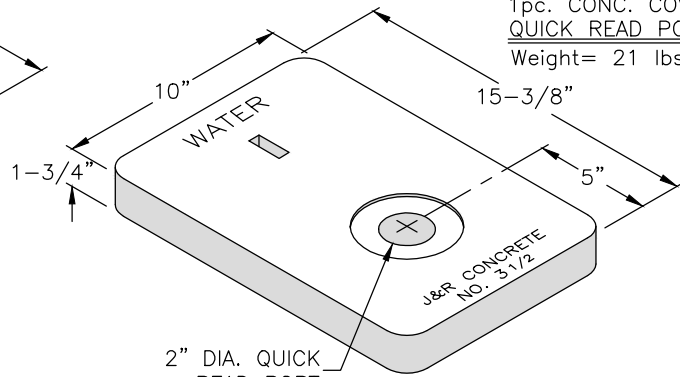
2pc. CONC. COVER
Weight= 17 lbs.



CONCRETE
READING LID
Weight= 5 lbs.

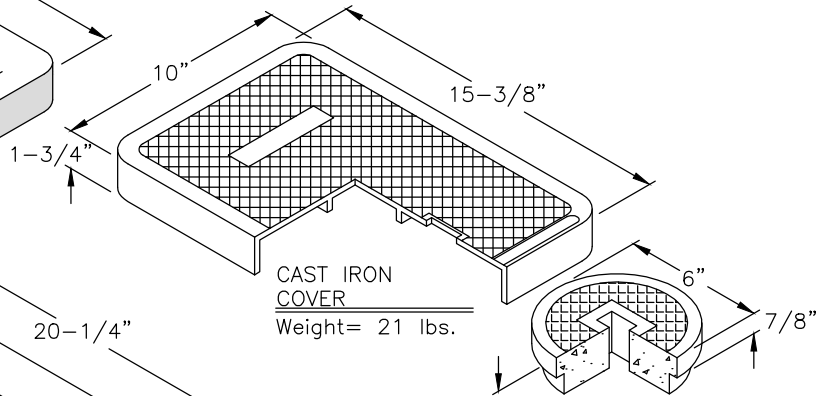


1pc. CONC. COVER W/
QUICK READ PORT
Weight= 21 lbs.

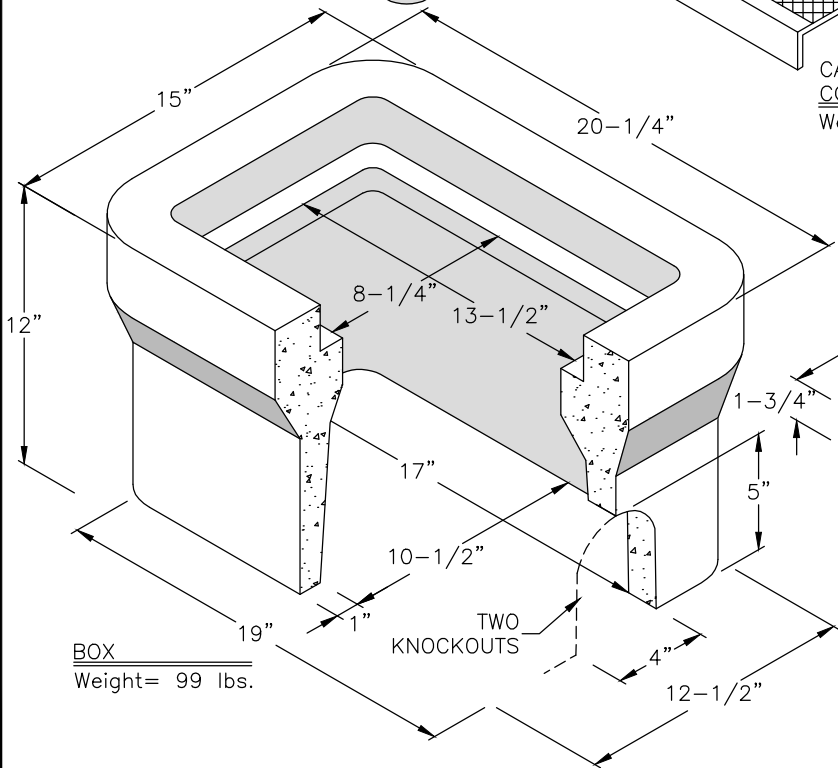


2" DIA. QUICK
READ PORT

1pc. CONC. COVER
Weight= 21 lbs.



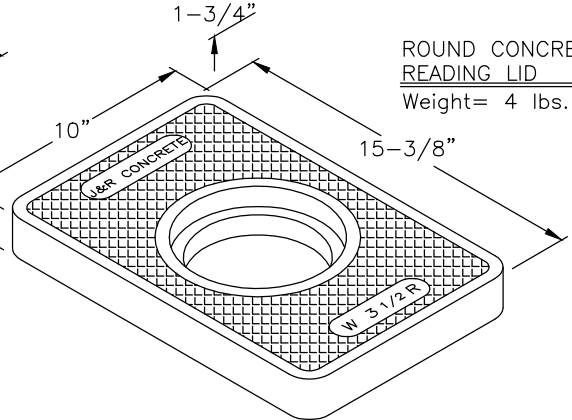
CAST IRON
COVER
Weight= 21 lbs.



BOX
Weight= 99 lbs.

TWO
KNOCKOUTS

ROUND CONCRETE
READING LID
Weight= 4 lbs.



2pc.-R CONC. COVER
Weight= 17 lbs.

**No. W3-1/2 Series Meter Box
Designed for 5/8" or 3/4" Meters**

J&R CONCRETE PRODUCTS

440 W. MARKHAM ST.
PERRIS, CA. 92571
PHONE:(951) 943-5855 FAX:(951) 940-9207