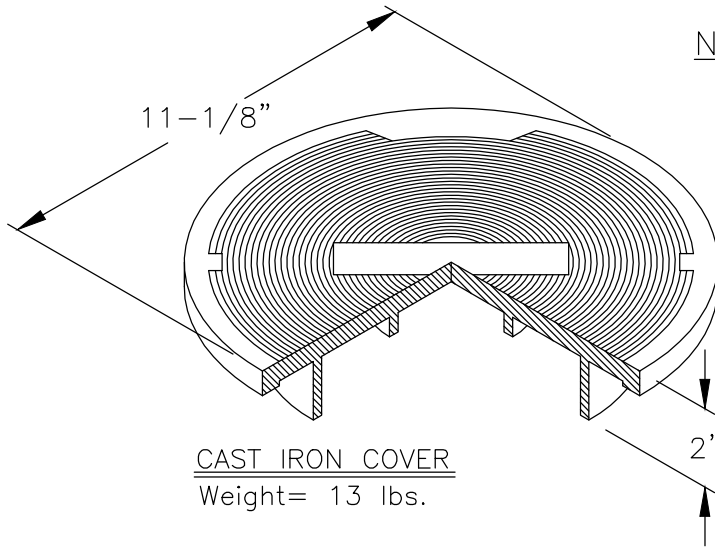
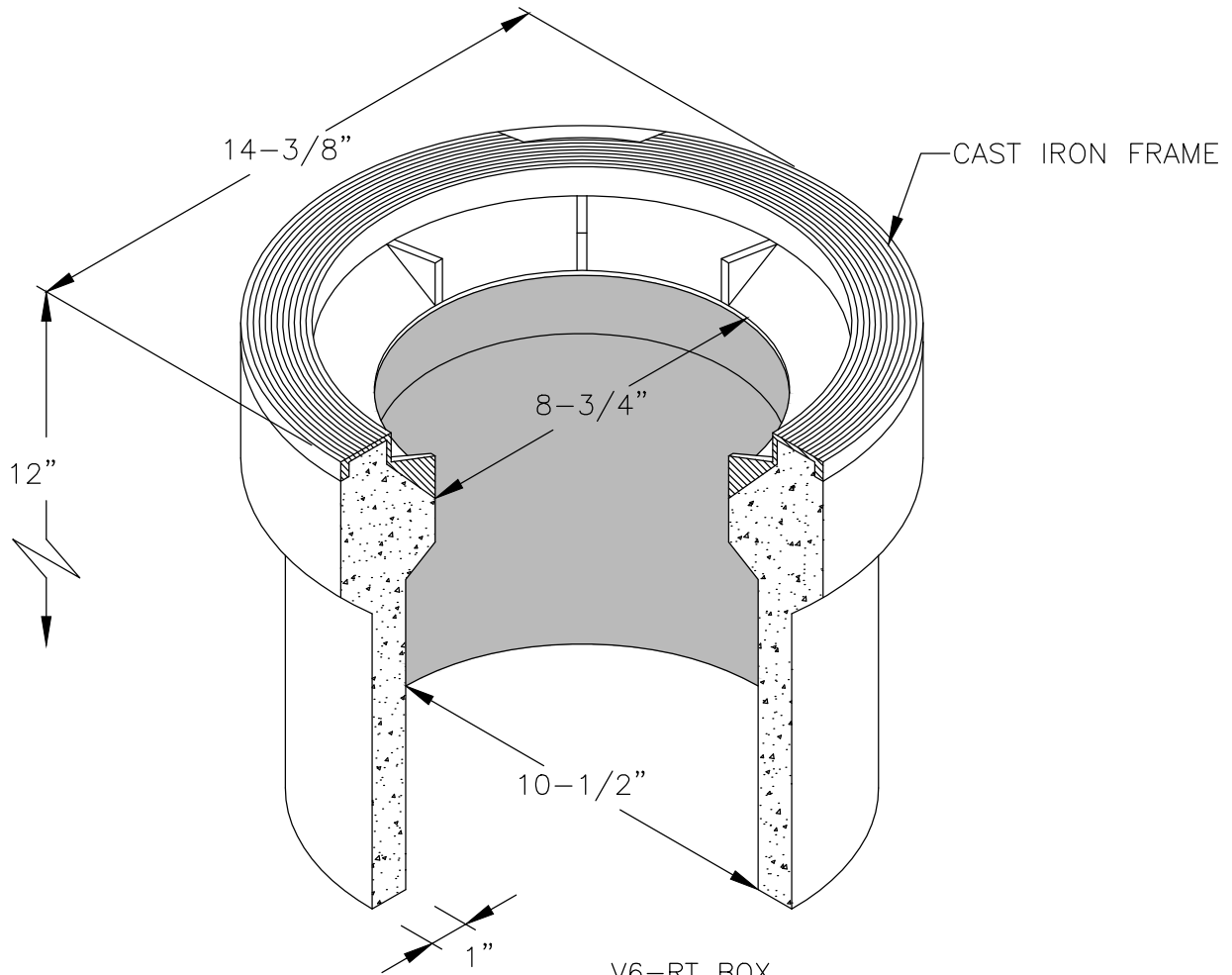


NOTE: Boltdown Cover Available Upon Special Request



CAST IRON COVER
Weight= 13 lbs.



V6-RT BOX
Weight= 62 lbs.

No. V6-RT
VALVE BOX SERIES
FOR H-10 LOADING

J&R CONCRETE PRODUCTS

440 W. MARKHAM ST.
PERRIS, CA. 92571
PHONE:(951) 943-5855 FAX:(951) 940-9207