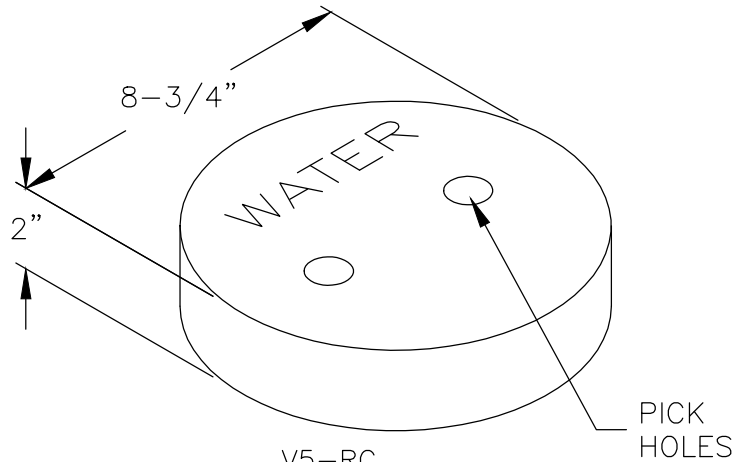
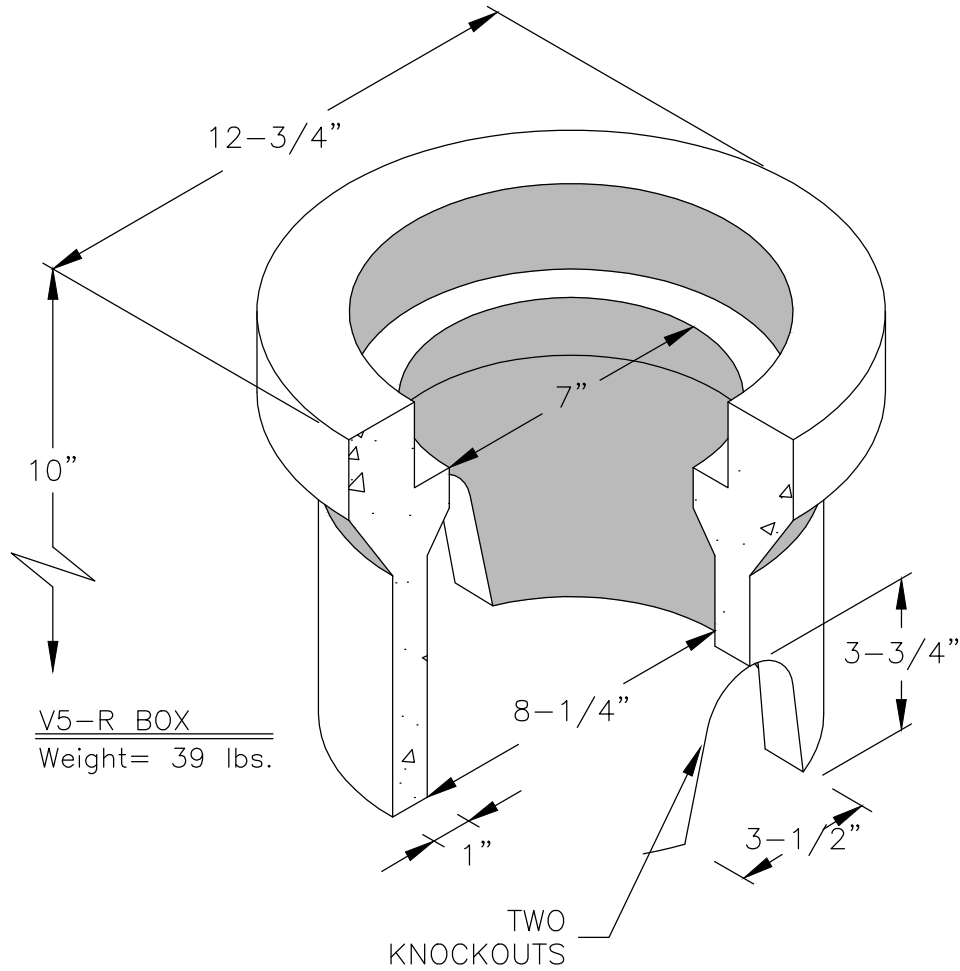


V5-RT  
CAST IRON COVER  
Weight= 7 lbs.



V5-RC  
CONC. COVER  
Weight= 10 lbs.



V5-R BOX  
Weight= 39 lbs.

TWO  
KNOCKOUTS

**No. V5-R  
VALVE BOX SERIES**

**J&R CONCRETE PRODUCTS**

440 W. MARKHAM ST.  
PERRIS, CA. 92571  
PHONE:(951) 943-5855 FAX:(951) 940-9207