

*ALUMINUM OR STEEL SPRING ASSIST COVERS AVAILABLE UPON REQUEST

2PC. STEEL DIAMOND PLATE TORSION SPRING ASSIST PARKWAY COVER, GALVANIZED (DESIGNED FOR 300P.S.F.)

PAINTED OR GALVANIZED AVAILABLE UPON REQUEST

12"

(A) 4pc. STEEL BOLTDOWN TRAFFIC / PARKWAY COVER

STEEL GALVANIZED FRAME CAST IN CONCRETE

(B) TOP SECTION W/ FLUSH FRAME

12"

(C) EXTENSION SECTION

12"

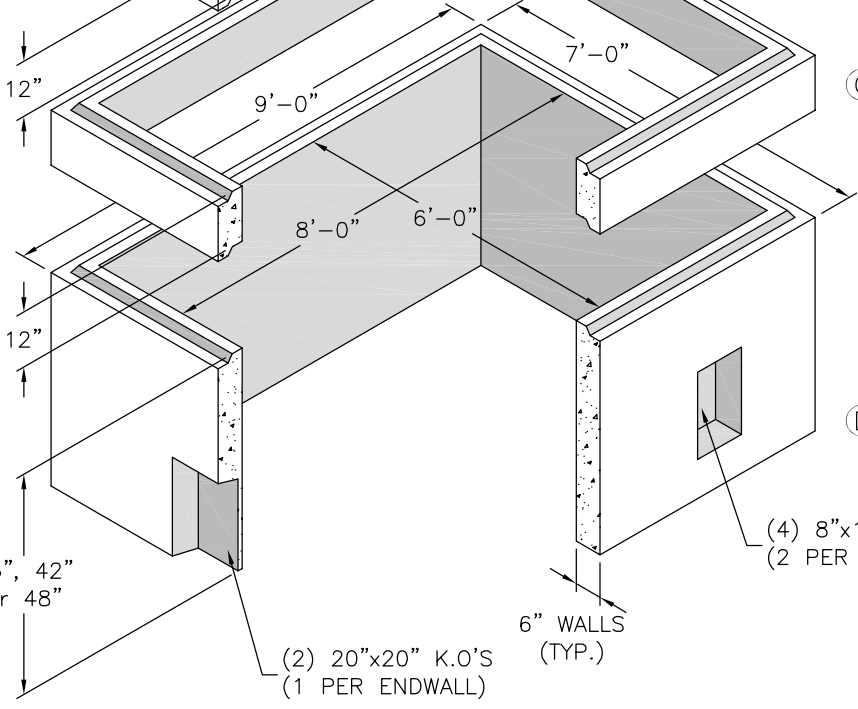
(D) LOWER SECTION

36", 42" or 48"

(2) 20"x20" K.O'S (1 PER ENDWALL)

(4) 8"x16" K.O'S (2 PER SIDE WALL)

6" WALLS (TYP.)



**Minimun Excavation: 8'-0"x10'-0"xDepth Req'd

6'-0" X 8'-0" OPEN BOTTOM UTILITY VAULT W/ STEEL TRAFFIC COVER or STEEL PARKWAY COVER

Notes:

1. Traffic Covers Are Designed For AASHTO H-20 Wheel Loading, But Are Not Intended For Direct Traffic Installations.
2. Parkway Covers Are Designed For A Live Load of 300 p.s.f.