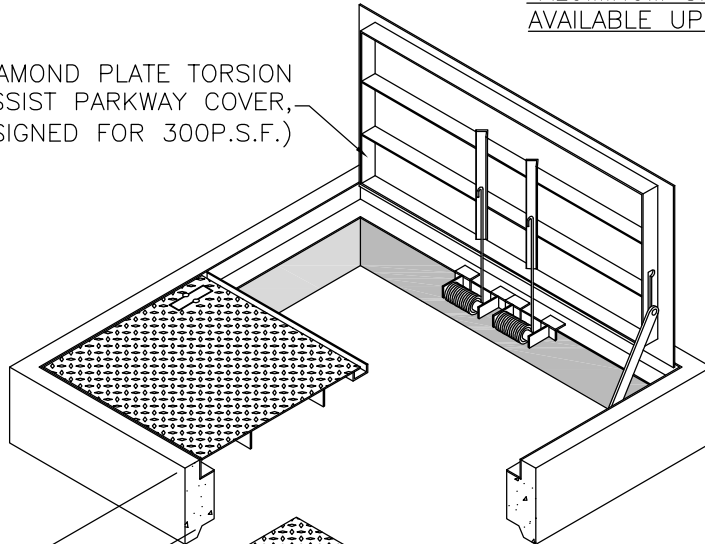


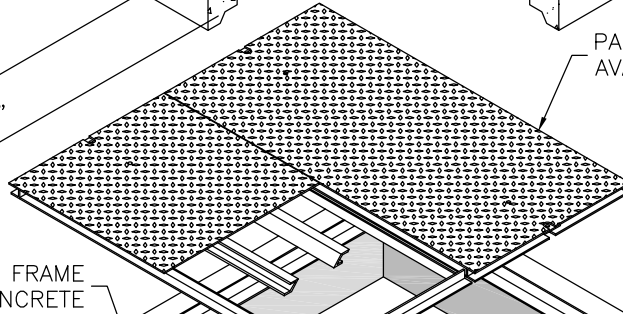
*ALUMINUM SPRING ASSIST COVERS
AVAILABLE UPON REQUEST

2PC. STEEL DIAMOND PLATE TORSION
SPRING ASSIST PARKWAY COVER,
GALVANIZED (DESIGNED FOR 300P.S.F.)



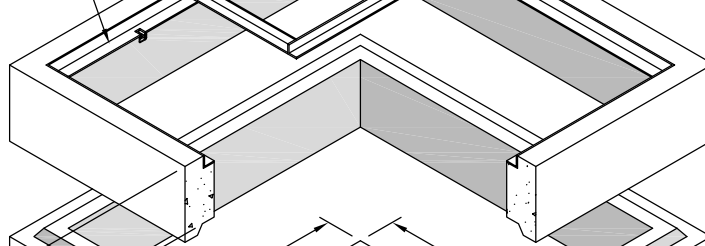
PAINTED OR GALVANIZED
AVAILABLE UPON REQUEST

12"



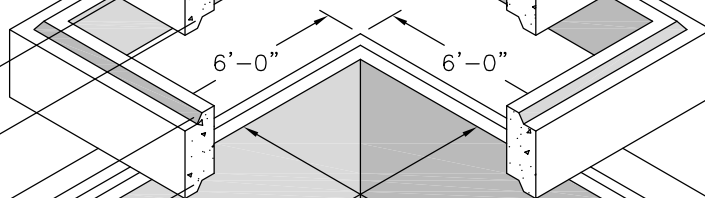
(A) 2pc. STEEL BOLTDOWN
TRAFFIC / PARKWAY COVER

STEEL GALVANIZED FRAME
CAST IN CONCRETE



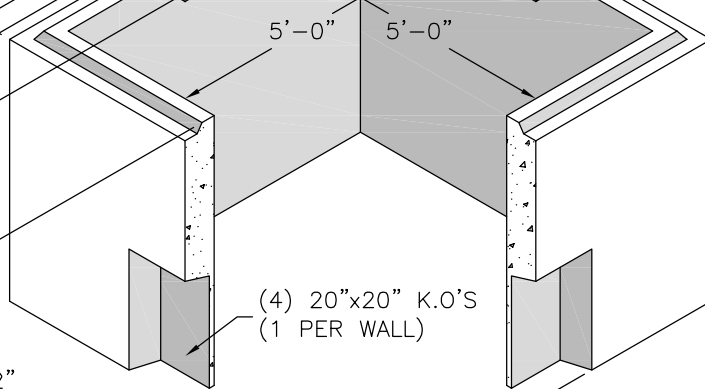
(B) TOP SECTION W/
FLUSH FRAME

12"



(C) EXTENSION SECTION

12"



(D) LOWER SECTION

(4) 20"x20" K.O'S
(1 PER WALL)

36", 42"
or 48"

6" WALLS
(TYP.)

**Minimun Excavation: 7'-0"x7'-0"xDepth Req'd

**5'-0" X 5'-0" OPEN BOTTOM
UTILITY VAULT W/ STEEL
TRAFFIC COVER or STEEL
PARKWAY COVER**

Notes:

1. Traffic Covers Are Designed For AASHTO H-20 Wheel Loading, But Are Not Intended For Direct Traffic Installations.
2. Parkway Covers Are Designed For A Live Load of 300 p.s.f.