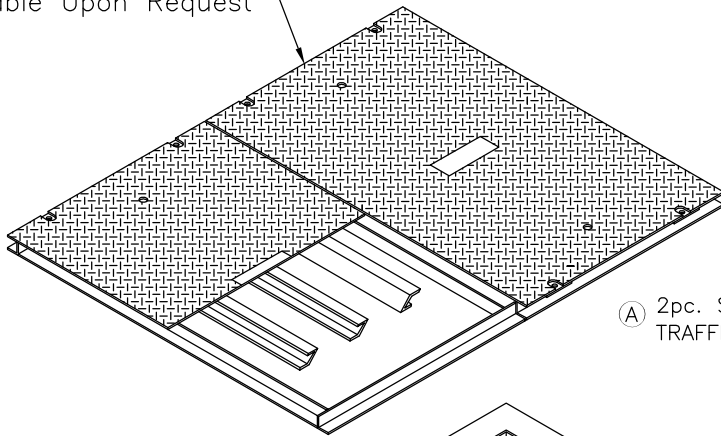


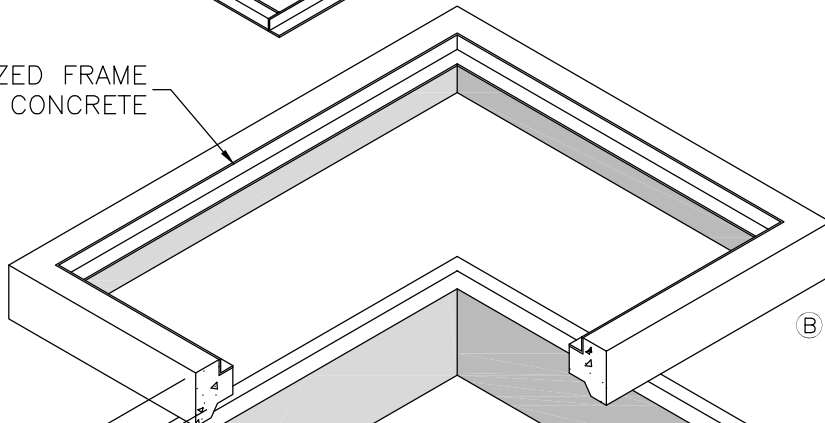
Painted or Galvanized Available Upon Request

\*ALUMINUM & STEEL SPRING ASSIST COVERS AVAILABLE UPON REQUEST

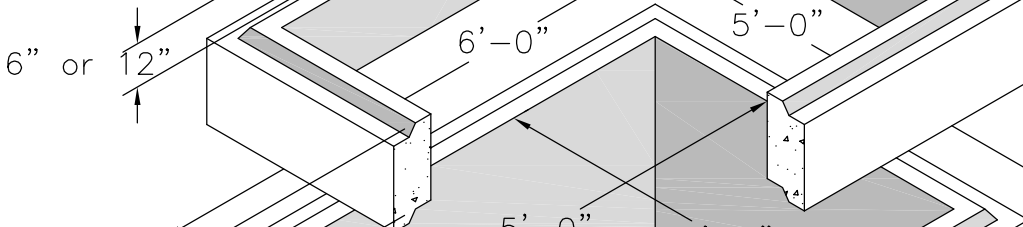


(A) 2pc. STEEL BOLTDOWN TRAFFIC / PARKWAY COVER

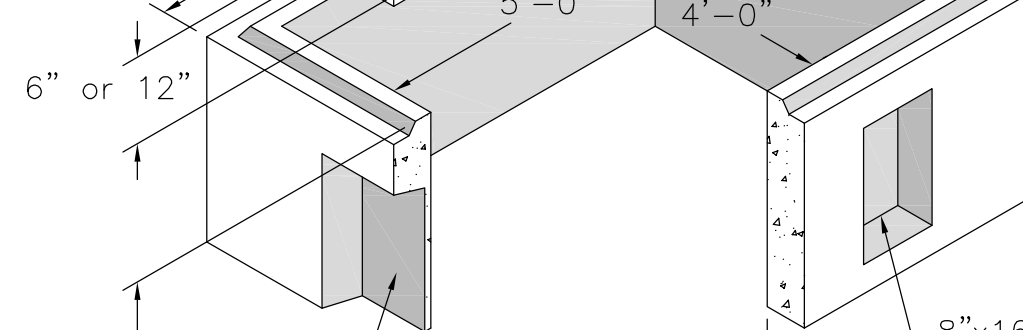
STEEL GALVANIZED FRAME CAST IN CONCRETE



(B) TOP SECTION W/ FLUSH FRAME



(C) EXTENSION SECTION



(D) LOWER SECTION

6" or 12"

6" or 12"

30"

8"x16" KNOCKOUTS TWO IN EACH SIDE WALL

6" WALLS

20"x20" KNOCKOUTS ONE IN EACH END WALL

\*\*Minimum Excavation: 6'-0"x7'-0"xDepth Req'd

**4'-0" X 5'-0" OPEN BOTTOM UTILITY VAULT W/ STEEL TRAFFIC COVER or STEEL PARKWAY COVER**

Notes:

1. Traffic Covers Are Designed For AASHTO H-20 Wheel Loading, But Are Not Intended For Direct Traffic Installations.
2. Parkway Covers Are Designed For A Live Load of 300 p.s.f.