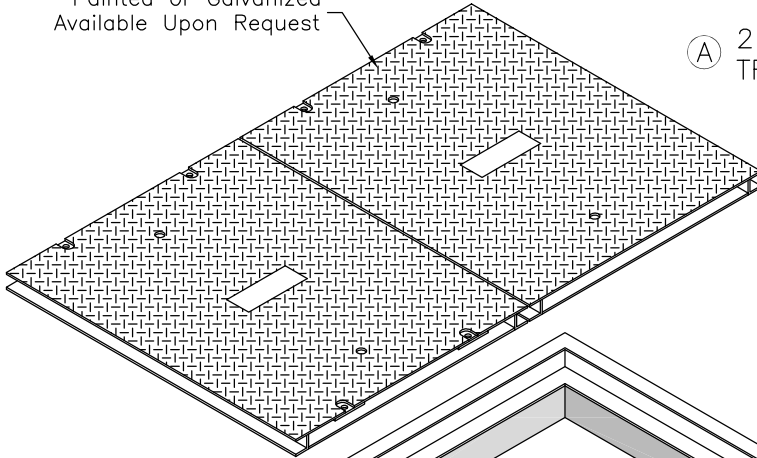


*ALUMINUM & STEEL SPRING ASSIST
COVERS AVAILABLE UPON REQUEST

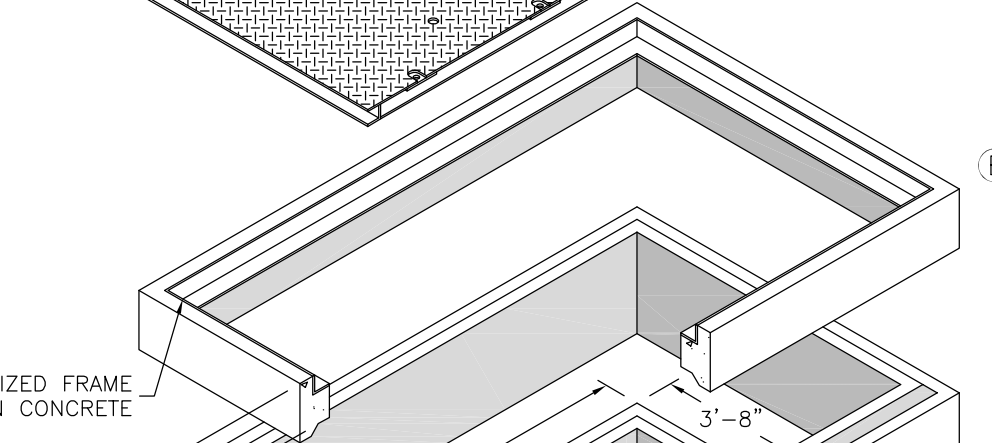
Painted or Galvanized
Available Upon Request

(A) 2pc. STEEL BOLTDOWN
TRAFFIC / PARKWAY COVER

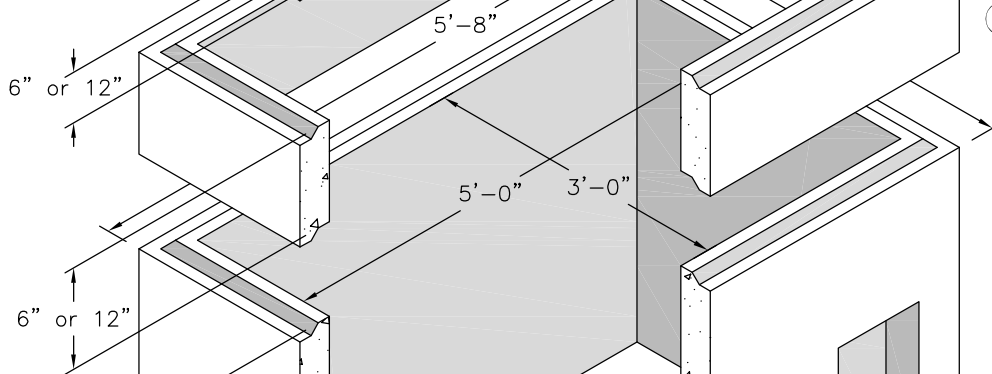


(B) TOP SECTION W/
FLUSH FRAME

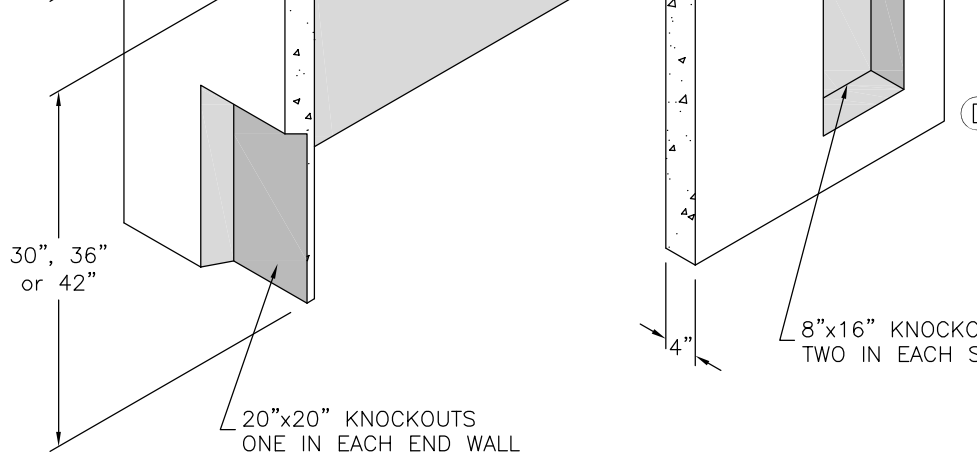
STEEL GALVANIZED FRAME
CAST IN CONCRETE



(C) EXTENSION SECTION



(D) LOWER SECTION



**Minimum Excavation: 4'-8"x6'-8"xDepth Req'd

**3'-0" X 5'-0" OPEN BOTTOM
UTILITY VAULT W/ STEEL
TRAFFIC COVER or STEEL
PARKWAY COVER**

Notes:

1. Traffic Covers Are Designed For AASHTO H-20 Wheel Loading, But Are Not Intended For Direct Traffic Installations.
2. Parkway Covers Are Designed For A Live Load of 300 p.s.f.