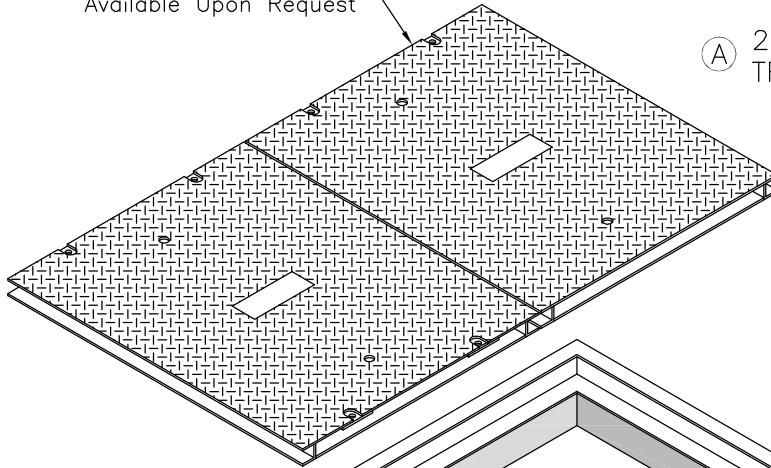


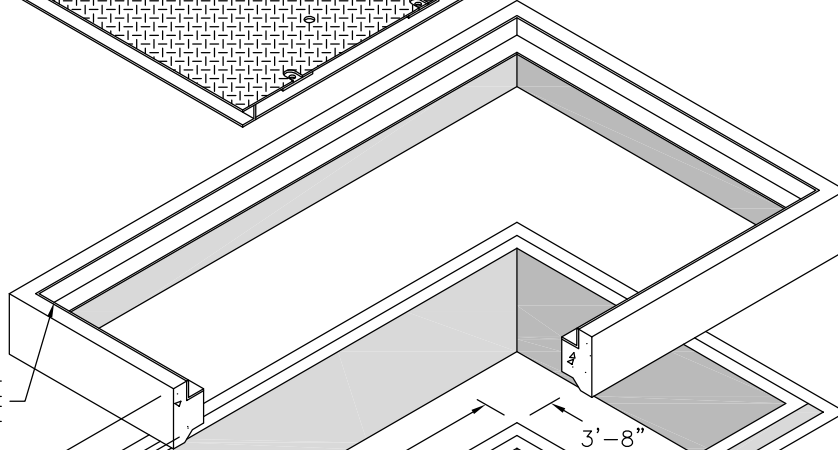
*ALUMINUM & STEEL SPRING ASSIST
COVERS AVAILABLE UPON REQUEST

Painted or Galvanized
Available Upon Request

(A) 2pc. STEEL BOLTDOWN
TRAFFIC / PARKWAY COVER

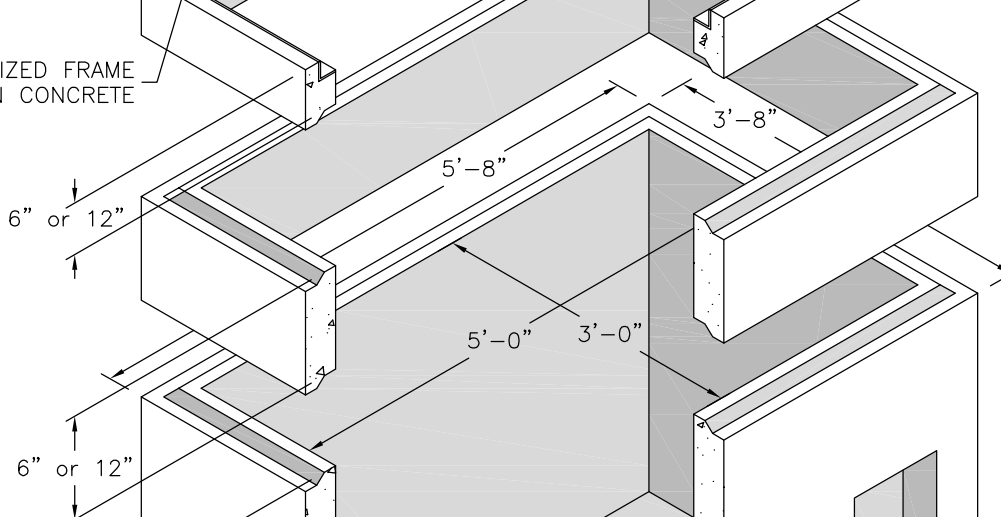


(B) TOP SECTION W/
FLUSH FRAME

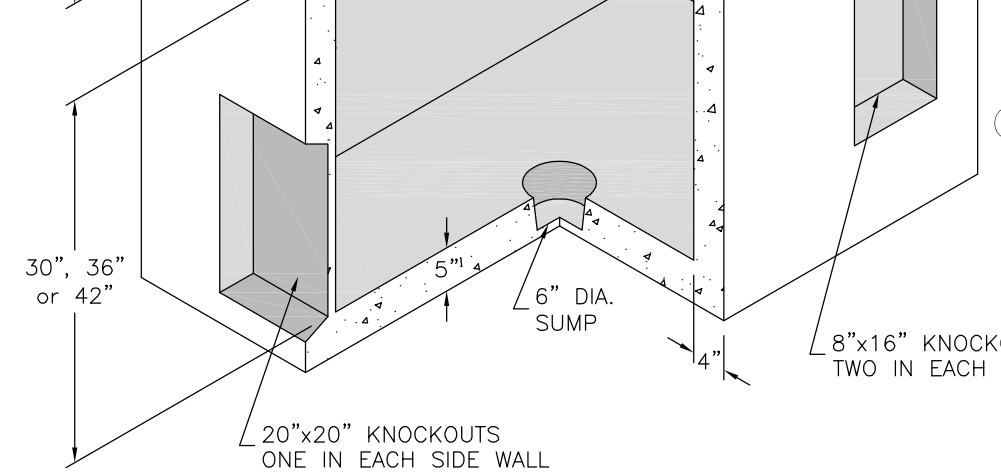


STEEL GALVANIZED FRAME
CAST IN CONCRETE

(C) EXTENSION SECTION



(D) BOTTOM SECTION



20"x20" KNOCKOUTS
ONE IN EACH SIDE WALL

8"x16" KNOCKOUTS
TWO IN EACH END WALL

**Minimum Excavation: 4'-8"x6'-8"xDepth Req'd

**3'-0" X 5'-0" CLOSED BOTTOM
UTILITY VAULT W/ STEEL
TRAFFIC COVER or STEEL
PARKWAY COVER**

Notes:

1. Traffic Covers Are Designed For AASHTO H-20 Wheel Loading, But Are Not Intended For Direct Traffic Installations.
2. Parkway Covers Are Designed For A Live Load of 300 p.s.f.