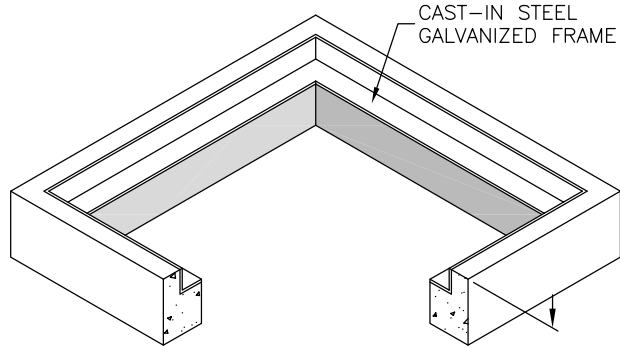
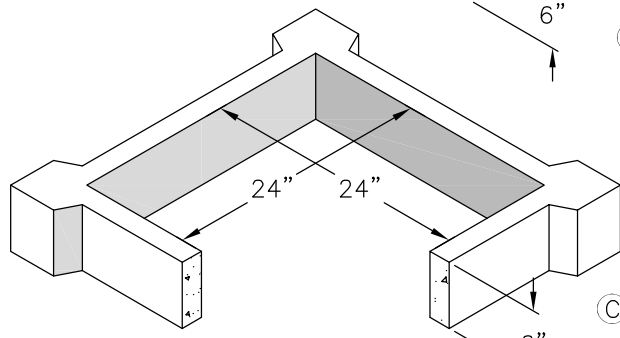


(A) 1pc. STEEL BOLTDOWN TRAFFIC or PARKWAY COVER

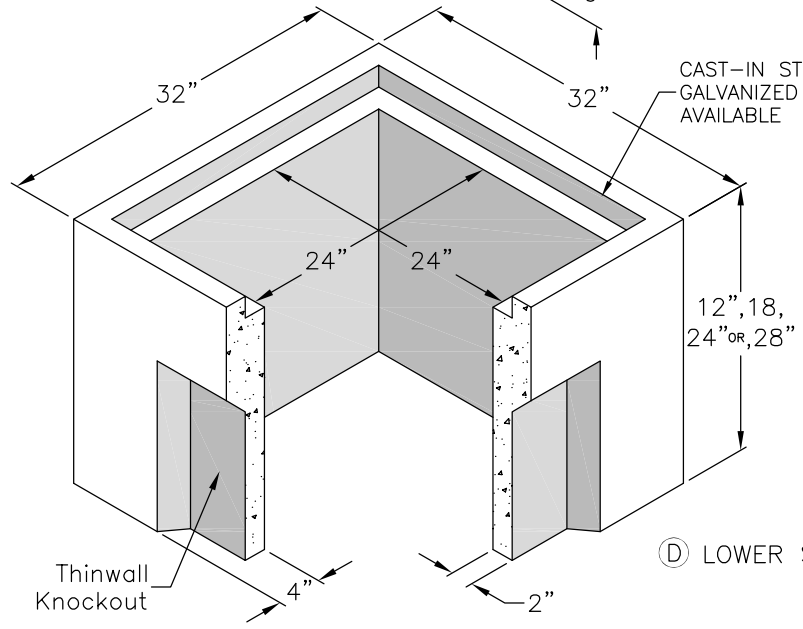
Painted or Galvanized Available Upon Request



(B) TOP SECTION W/ FLUSH FRAME



(C) EXTENSION SECTION



(D) LOWER SECTION

*Utility Vault Height	*Knockout Size
12" High.....	14"W X 7"H
18" High.....	14"W X 11"H
24" High.....	14"W X 17"H
28" High.....	14"W X 22"H

24" X 24" OPEN BOTTOM UTILITY VAULT W/ STEEL TRAFFIC COVER or STEEL PARKWAY COVER

NOTES

1. Traffic Covers Are Designed For AASHTO H-20 Wheel Loading, But Are Not Intended For Direct Traffic Installations.
2. Parkway Covers Are Designed For A Live Load of 300 p.s.f