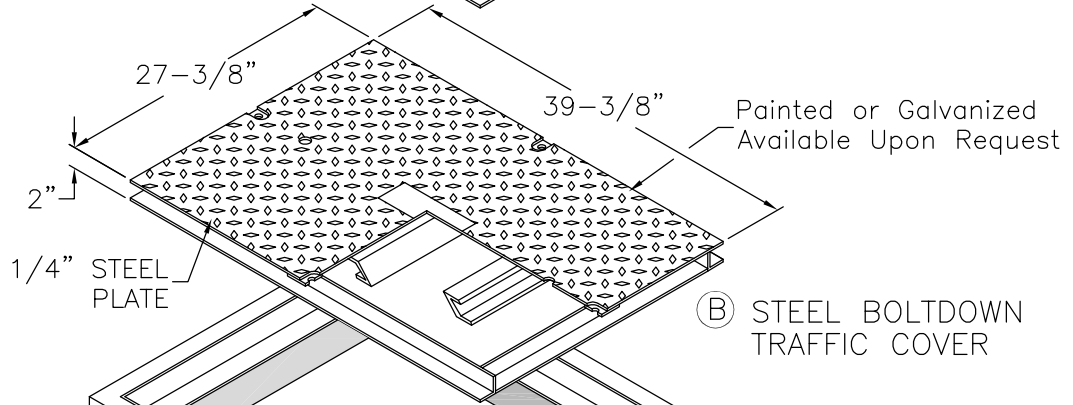
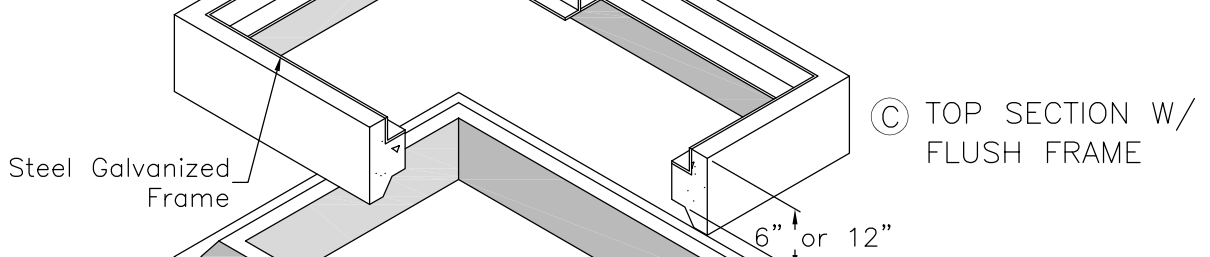


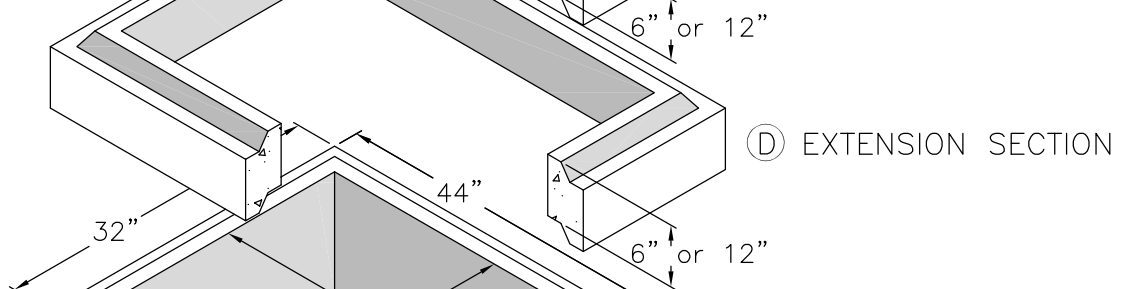
(A) STEEL BOLTDOWN PARKWAY COVER



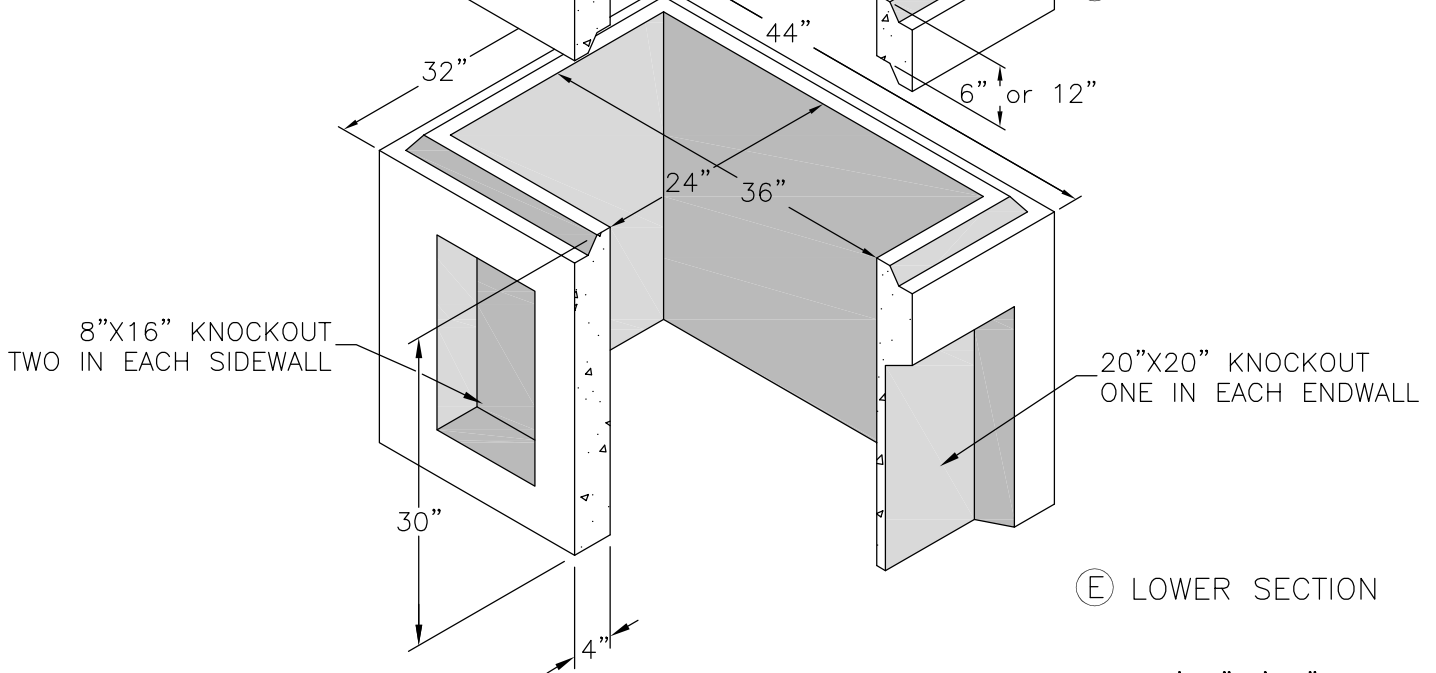
(B) STEEL BOLTDOWN TRAFFIC COVER



(C) TOP SECTION W/ FLUSH FRAME



(D) EXTENSION SECTION



(E) LOWER SECTION

**Minimum Excavation: 3'-8"x4'-8"xDepth Req'd

**2'-0" X 3'-0" OPEN BOTTOM
UTILITY VAULT W/ STEEL
TRAFFIC COVER or STEEL
PARKWAY COVER**

NOTES

1. Traffic Covers Are Designed For AASHTO H-20 Wheel Loading, But Are Not Intended For Direct Traffic Installations.
2. Parkway Covers Are Designed For A Live Load of 300 p.s.f