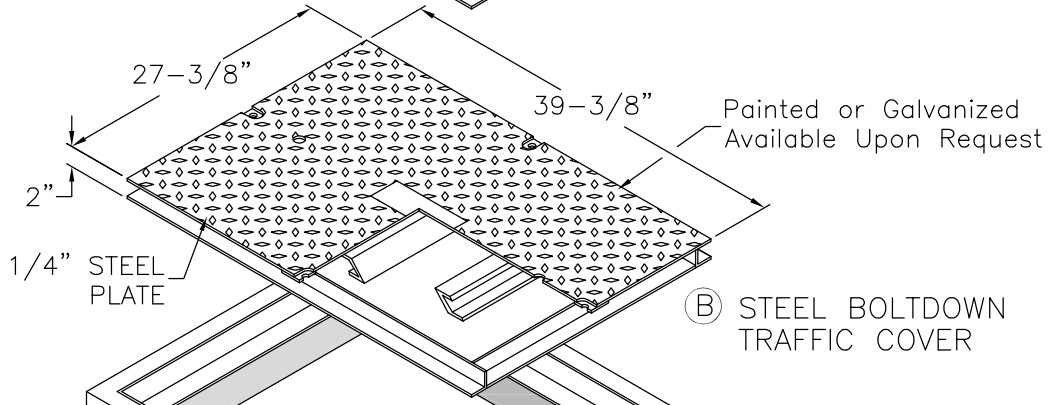
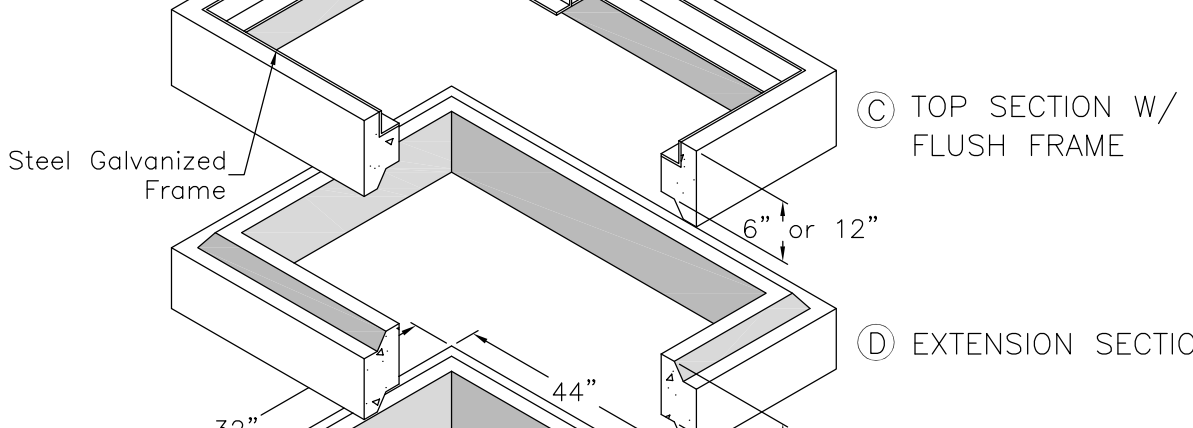


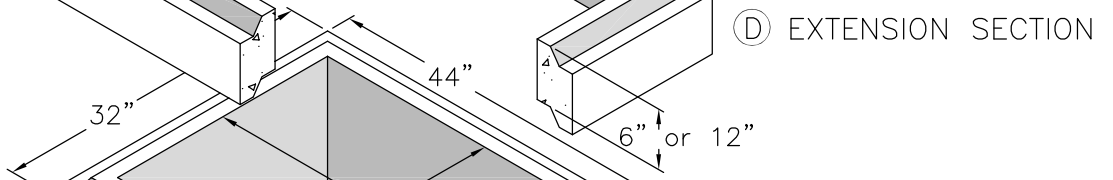
(A) STEEL BOLTDOWN PARKWAY COVER



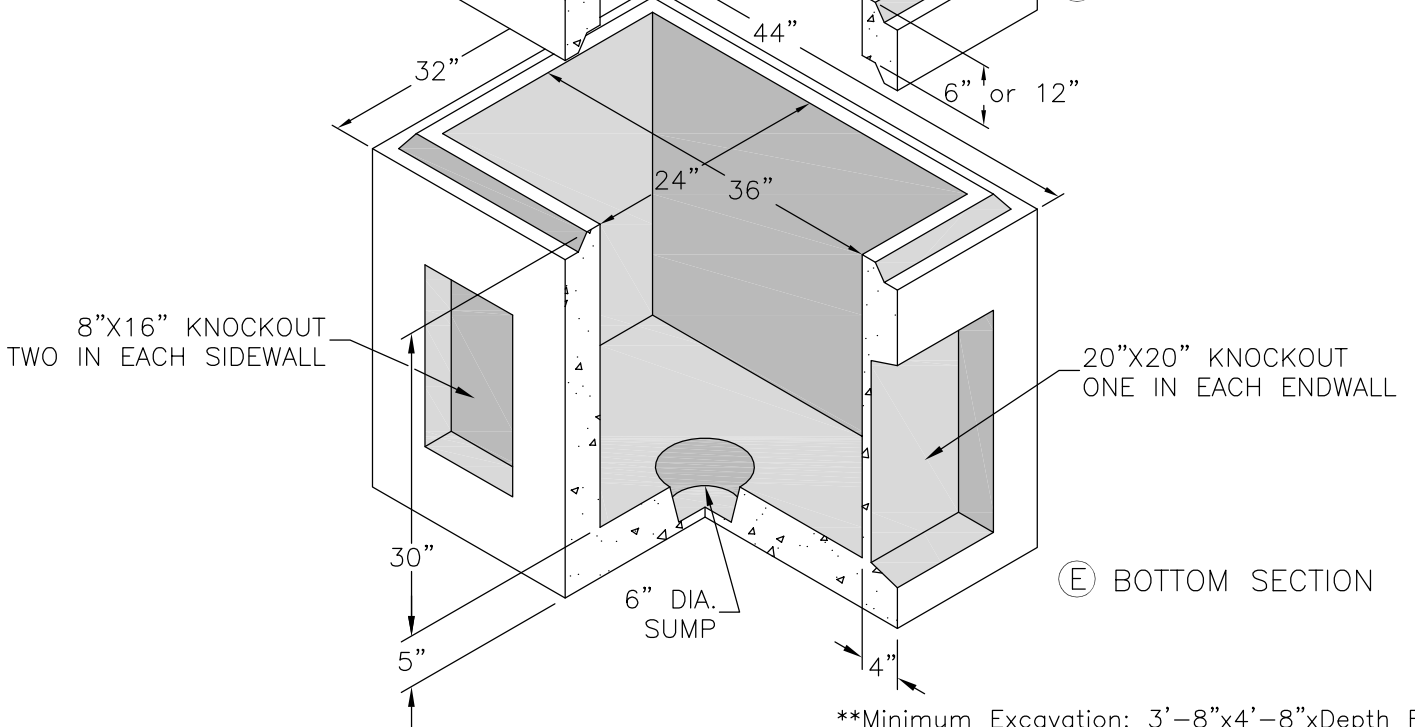
(B) STEEL BOLTDOWN TRAFFIC COVER



(C) TOP SECTION W/ FLUSH FRAME



(D) EXTENSION SECTION



(E) BOTTOM SECTION

2'-0" X 3'-0" CLOSED BOTTOM UTILITY VAULT W/ STEEL TRAFFIC COVER or STEEL PARKWAY COVER

NOTES

1. Traffic Covers Are Designed For AASHTO H-20 Wheel Loading, But Are Not Intended For Direct Traffic Installations.
2. Parkway Covers Are Designed For A Live Load of 300 p.s.f