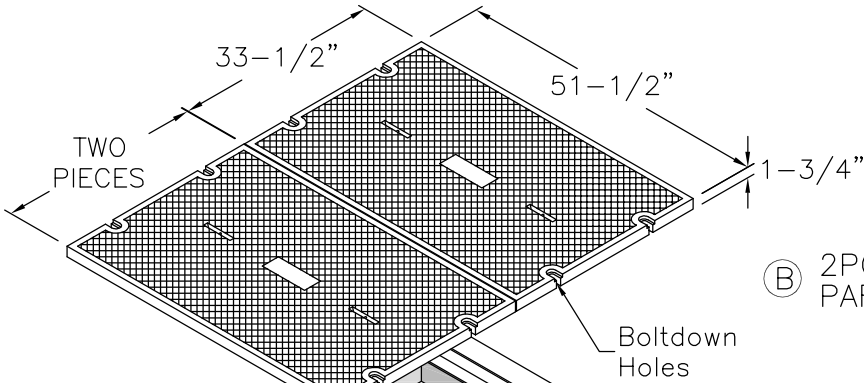


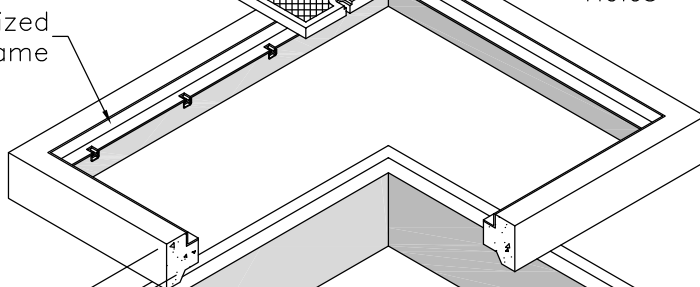
Painted or Galvanized Available Upon Request

(A) 2PC. STEEL BOLTDOWN TRAFFIC OR PARKWAY COVER

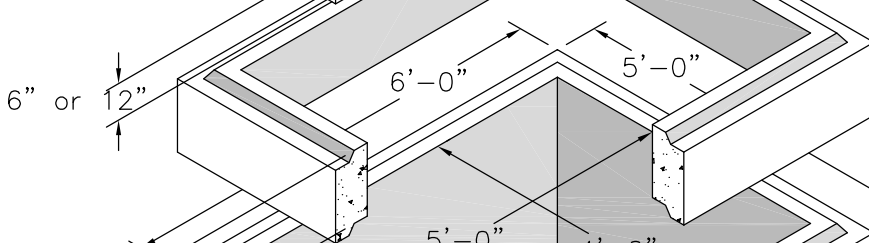


(B) 2PC. POLYMER CONCRETE PARKWAY COVER

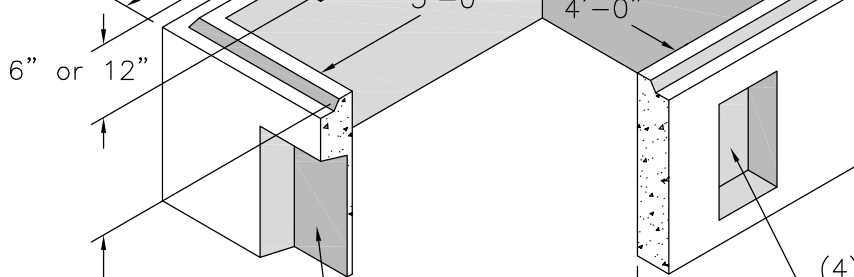
Steel Galvanized Frame



(C) TOP SECTION W/ FLUSH FRAME



(D) EXTENSION SECTION



(E) LOWER SECTION

(2) 20"X20" K.O'S
(1 PER END WALL)

(4) 8"X16" K.O'S
(2 PER END WALL)

30"

6"

**Minimum Excavation: 6'-0"x7'-0"xDepth Req'd

**4'-0" X 5'-0" OPEN BOTTOM
FLATWALL PULL BOX W/
STANDARD COVERS**

Notes:

1. Traffic Covers Are Designed For AASHTO H-20 Wheel Loading, But Are Not Intended For Direct Traffic Installations.
2. Parkway Covers Are Designed For A Live Load of 300 p.s.f.