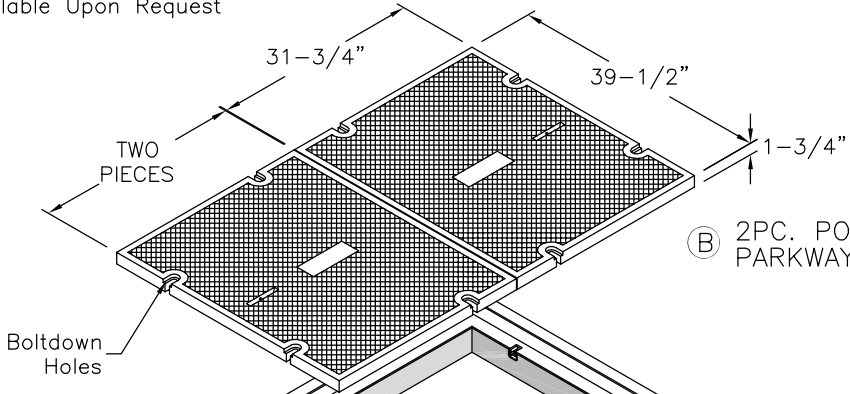
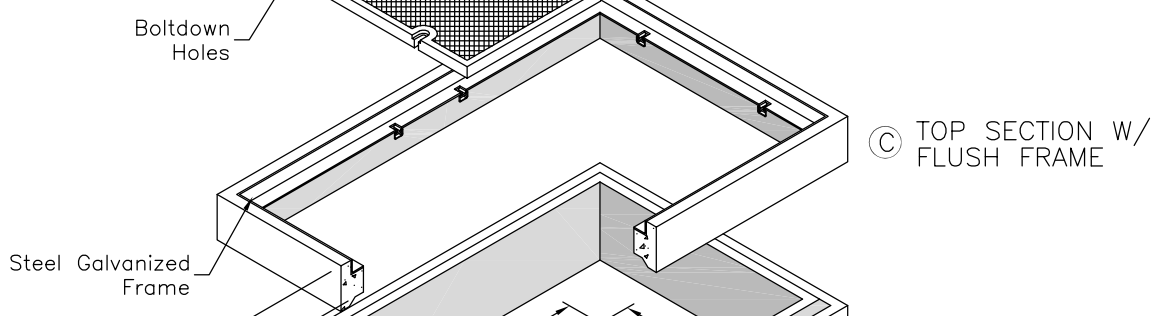


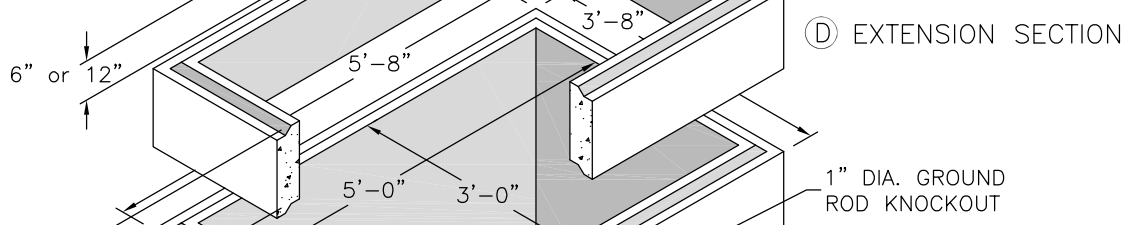
(A) 2PC. STEEL BOLTDOWN TRAFFIC OR PARKWAY COVER



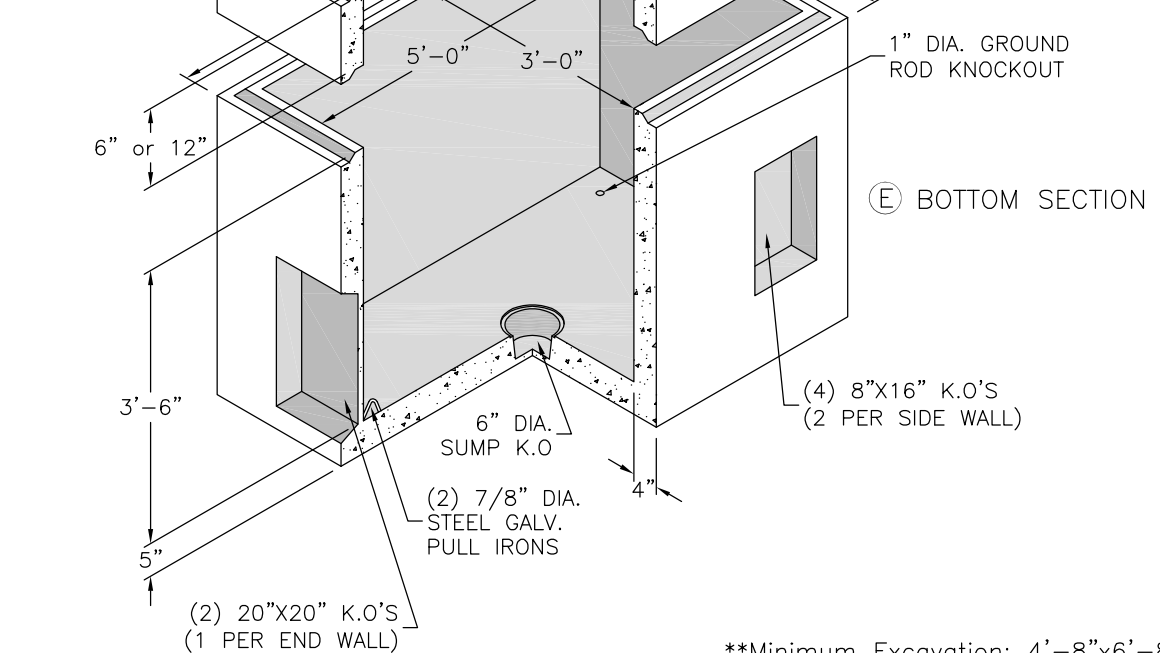
(B) 2PC. POLYMER CONCRETE PARKWAY COVER



(C) TOP SECTION W/ FLUSH FRAME



(D) EXTENSION SECTION



(E) BOTTOM SECTION

**Minimum Excavation: 4'-8"x6'-8"xDepth Req'd

**3'-0" X 5'-0" CLOSED BOTTOM
FLATWALL PULL BOX W/
STANDARD COVERS**

Notes:

1. Traffic Covers Are Designed For AASHTO H-20 Wheel Loading, But Are Not Intended For Direct Traffic Installations.
2. Parkway Covers Are Designed For A Live Load of 300 p.s.f.