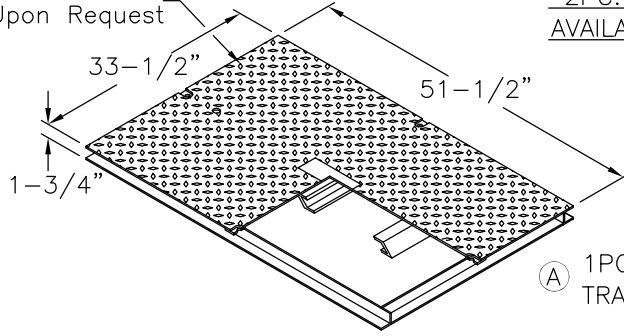
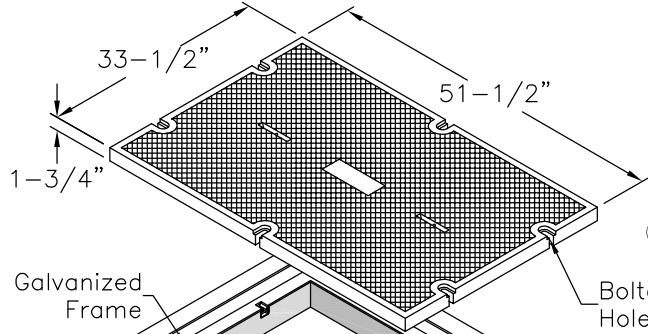


Painted or Galvanized Available Upon Request

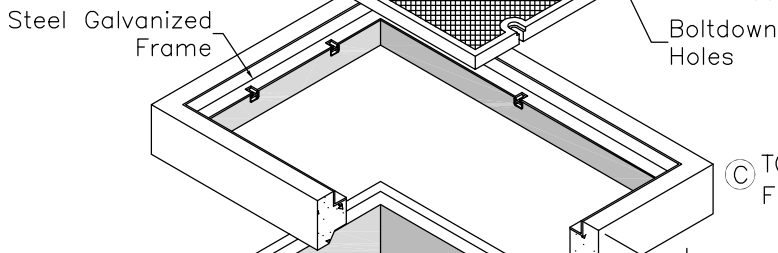
*2PC. BOLTDOWN COVER AVAILABLE UPON REQUEST



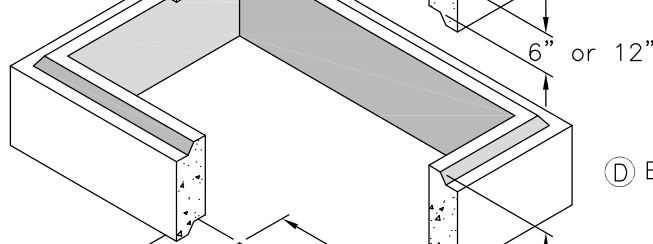
(A) 1PC. STEEL BOLTDOWN TRAFFIC OR PARKWAY COVER



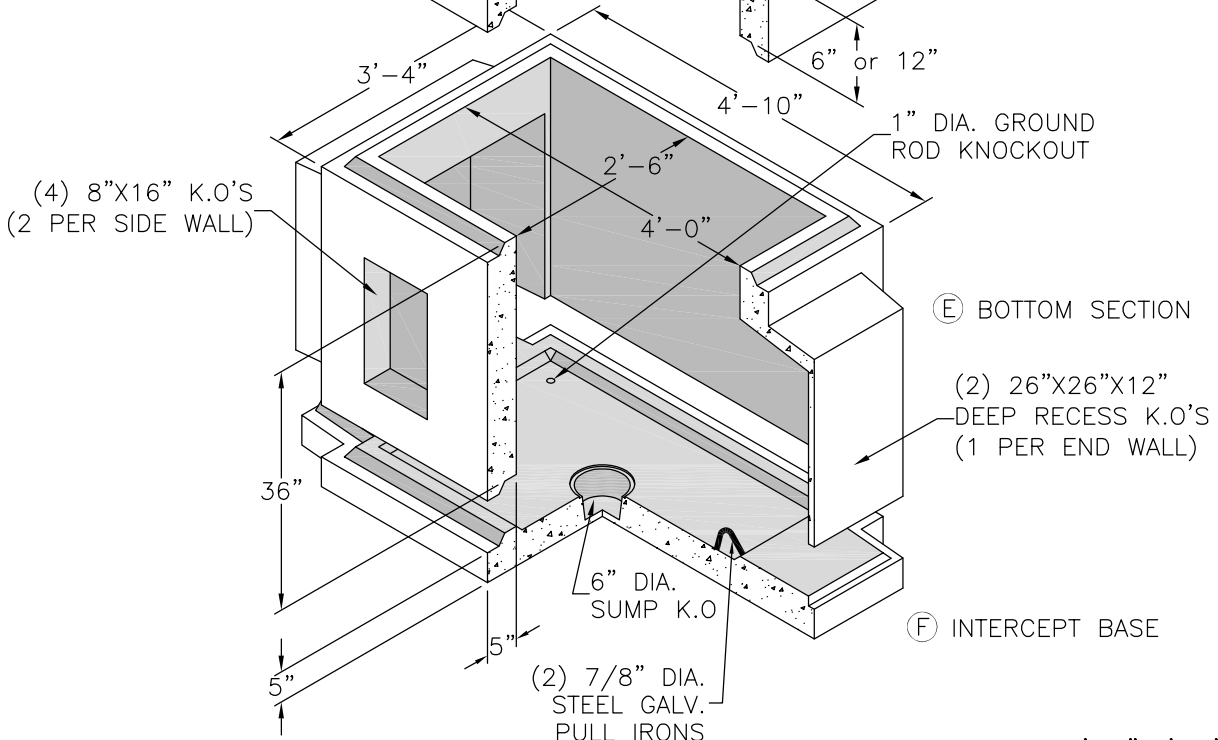
(B) 1PC. POLYMER CONCRETE PARKWAY COVER



(C) TOP SECTION W/ FLUSH FRAME



(D) EXTENSION SECTION



(E) BOTTOM SECTION

(F) INTERCEPT BASE

****Minimum Excavation: 4'-4"x7'-2"xDepth Req'd**

2'-6" X 4'-0" DEEP RECESS INTERCEPT PULL BOX W/ STANDARD COVERS

NOTES

1. Traffic Covers Are Designed For AASHTO H-20 Wheel Loading, But Are Not Intended For Direct Traffic Installations.
2. Parkway Covers Are Designed For A Live Load of 300 p.s.f