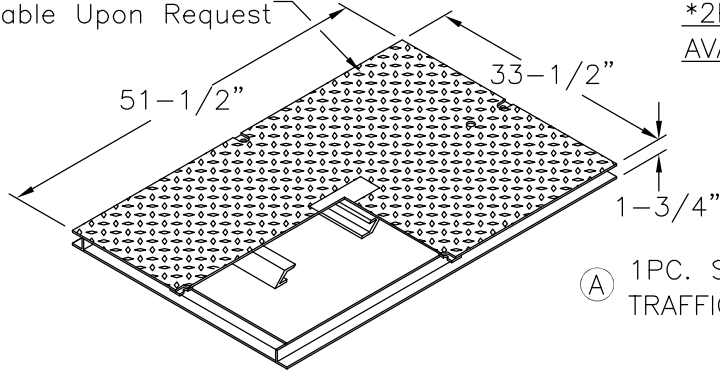
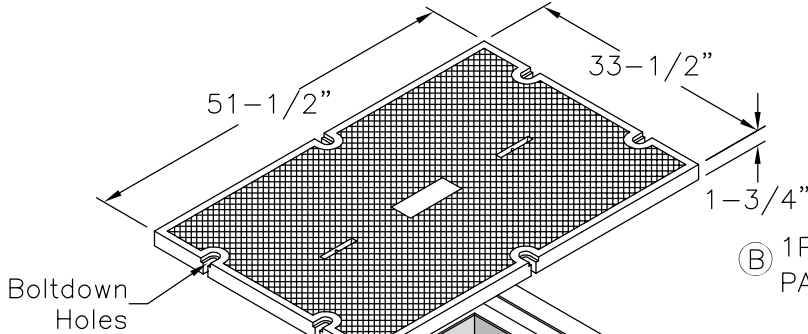


Painted or Galvanized  
Available Upon Request

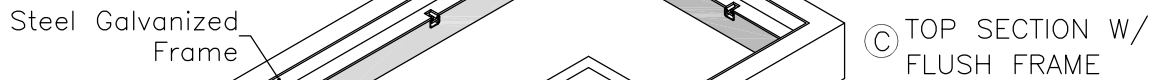
\*2PC. BOLTDOWN COVER  
AVAILABLE UPON REQUEST



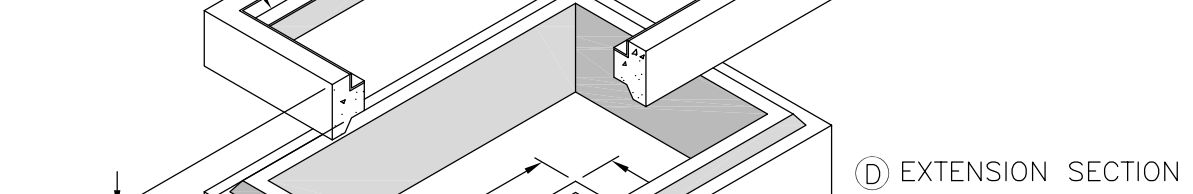
(A) 1PC. STEEL BOLTDOWN TRAFFIC OR PARKWAY COVER



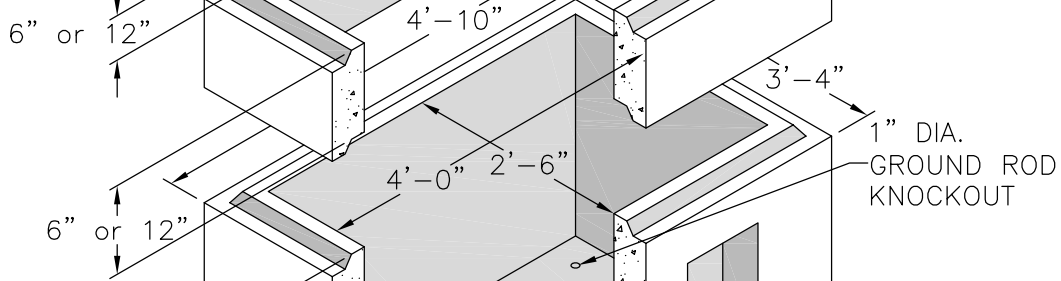
(B) 1PC. POLYMER CONCRETE PARKWAY COVER



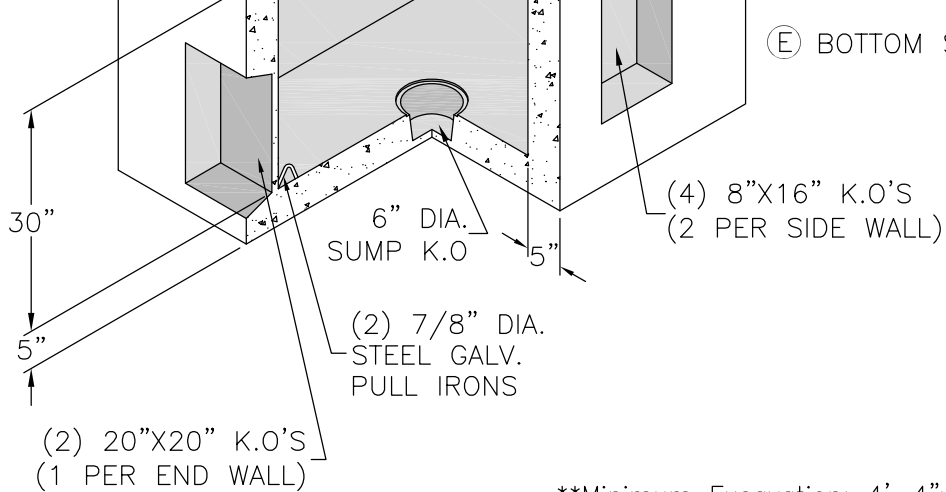
(C) TOP SECTION W/ FLUSH FRAME



(D) EXTENSION SECTION



(E) BOTTOM SECTION



**\*\*Minimum Excavation: 4'-4"x5'-10"xDepth Req'd**

**2'-6" X 4'-0" CLOSED BOTTOM  
FLAT WALL PULL BOX W/  
STANDARD COVERS**

**NOTES**

1. Traffic Covers Are Designed For AASHTO H-20 Wheel Loading, But Are Not Intended For Direct Traffic Installations.
2. Parkway Covers Are Designed For A Live Load of 300 p.s.f