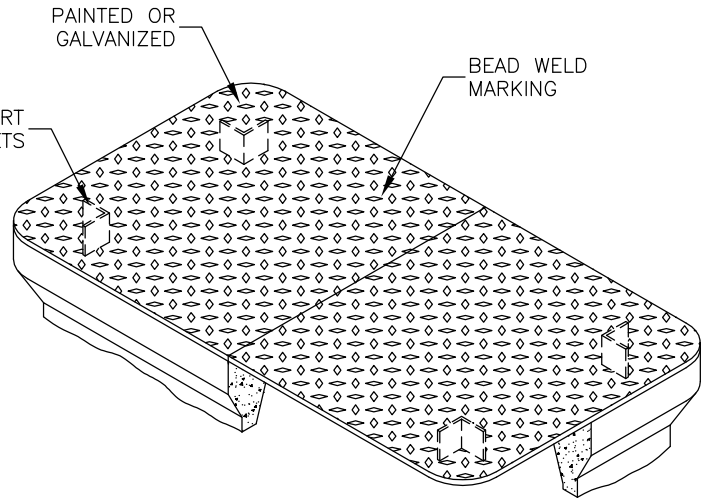
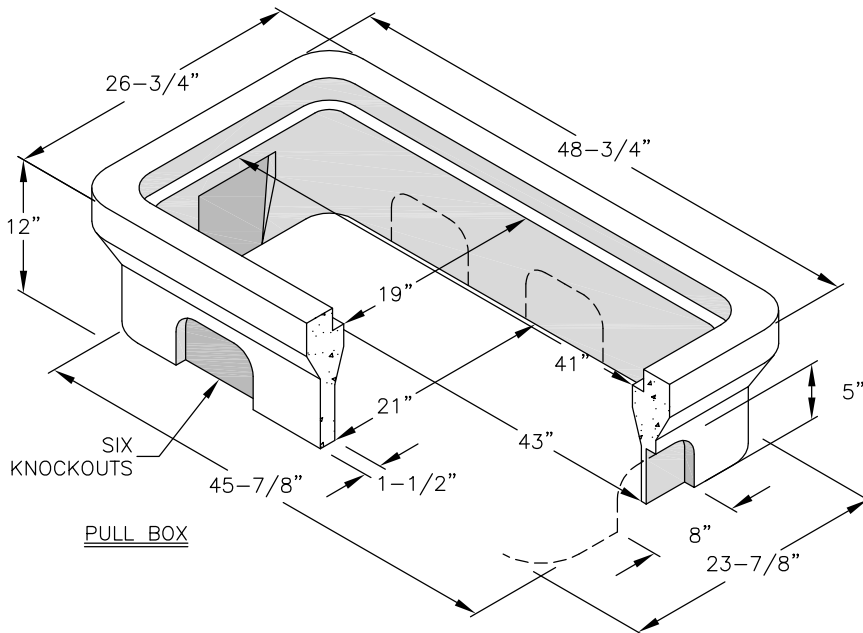


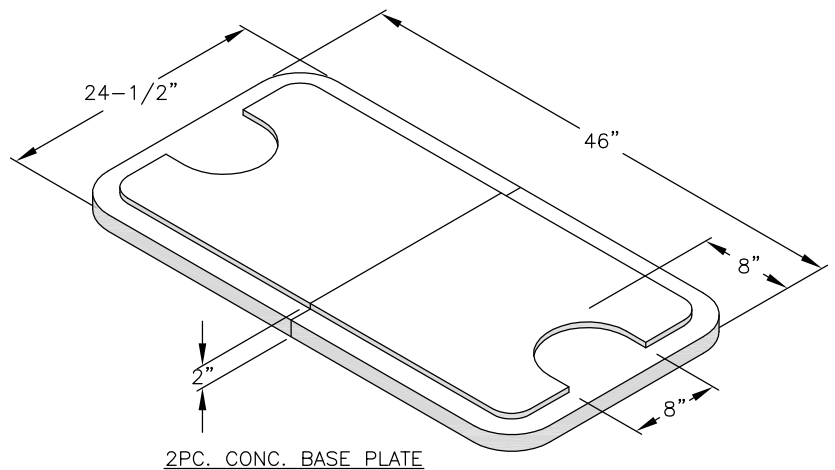
CONCRETE COVER (2 HALVES)



STEEL SUPERIMPOSED COVER (2 HALVES)



PULL BOX



2PC. CONC. BASE PLATE

**No. E7-1/2 Series Electrical Pull Box**

**J&R CONCRETE PRODUCTS**

440 W. MARKHAM ST.  
 PERRIS, CA. 92571  
 PHONE:(951) 943-5855 FAX:(951) 940-9207