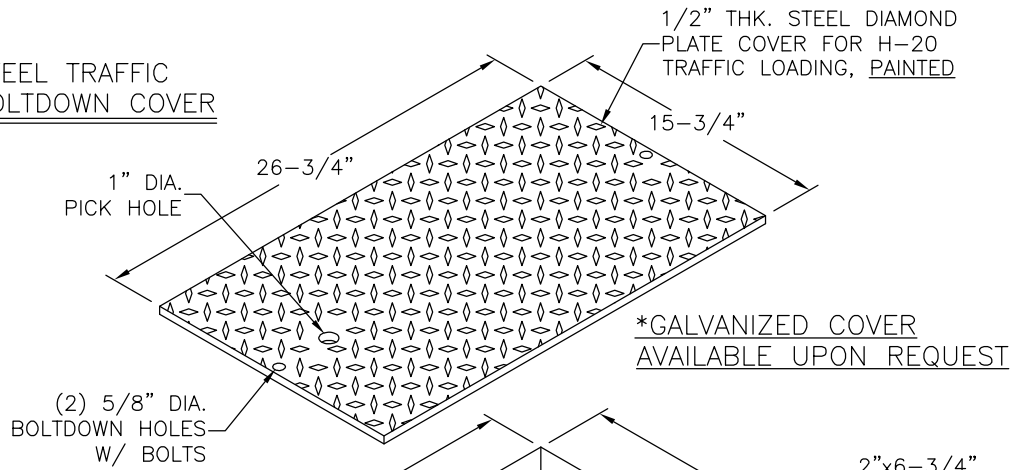
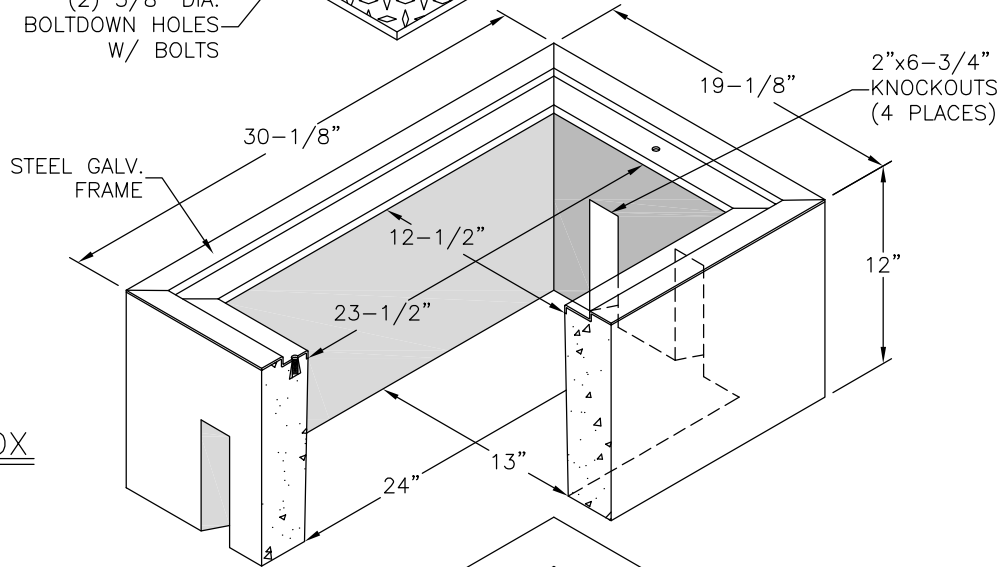


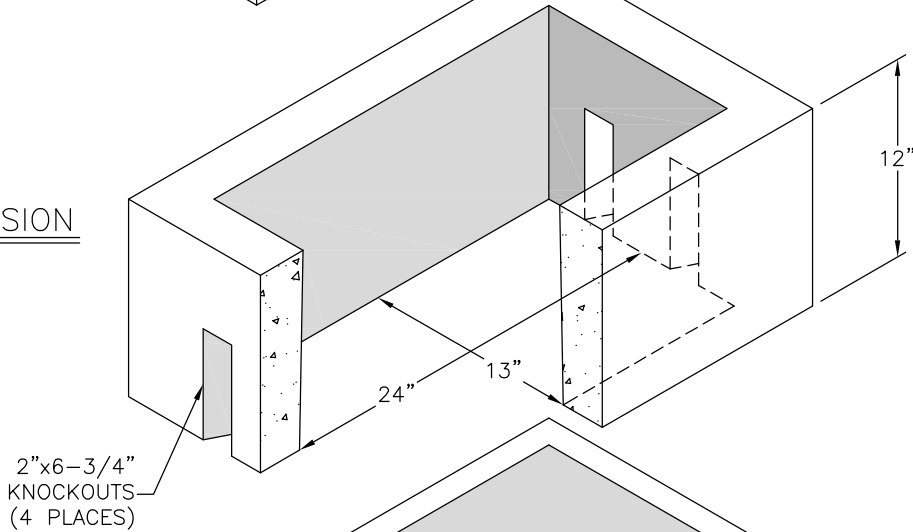
STEEL TRAFFIC  
BOLTDOWN COVER



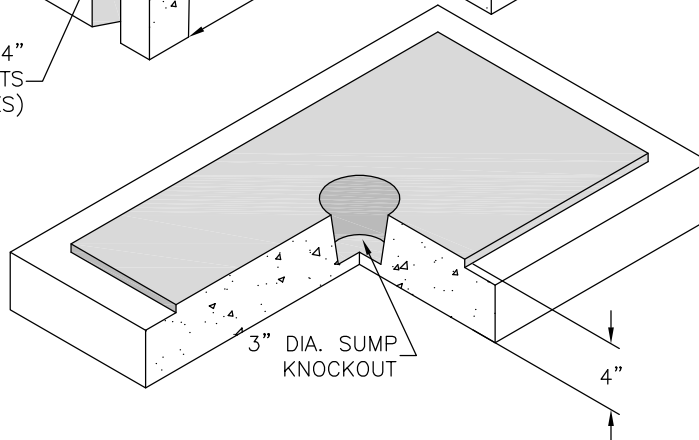
PULL BOX



12" EXTENSION



BASE PLATE



**No. E5-T Series Pull Box  
W/ H-20 Wheel Loading Cover  
Per CALTRANS Specifications**

**J&R CONCRETE PRODUCTS**

440 W. MARKHAM ST.  
PERRIS, CA. 92571  
PHONE:(951) 943-5855 FAX:(951) 940-9207