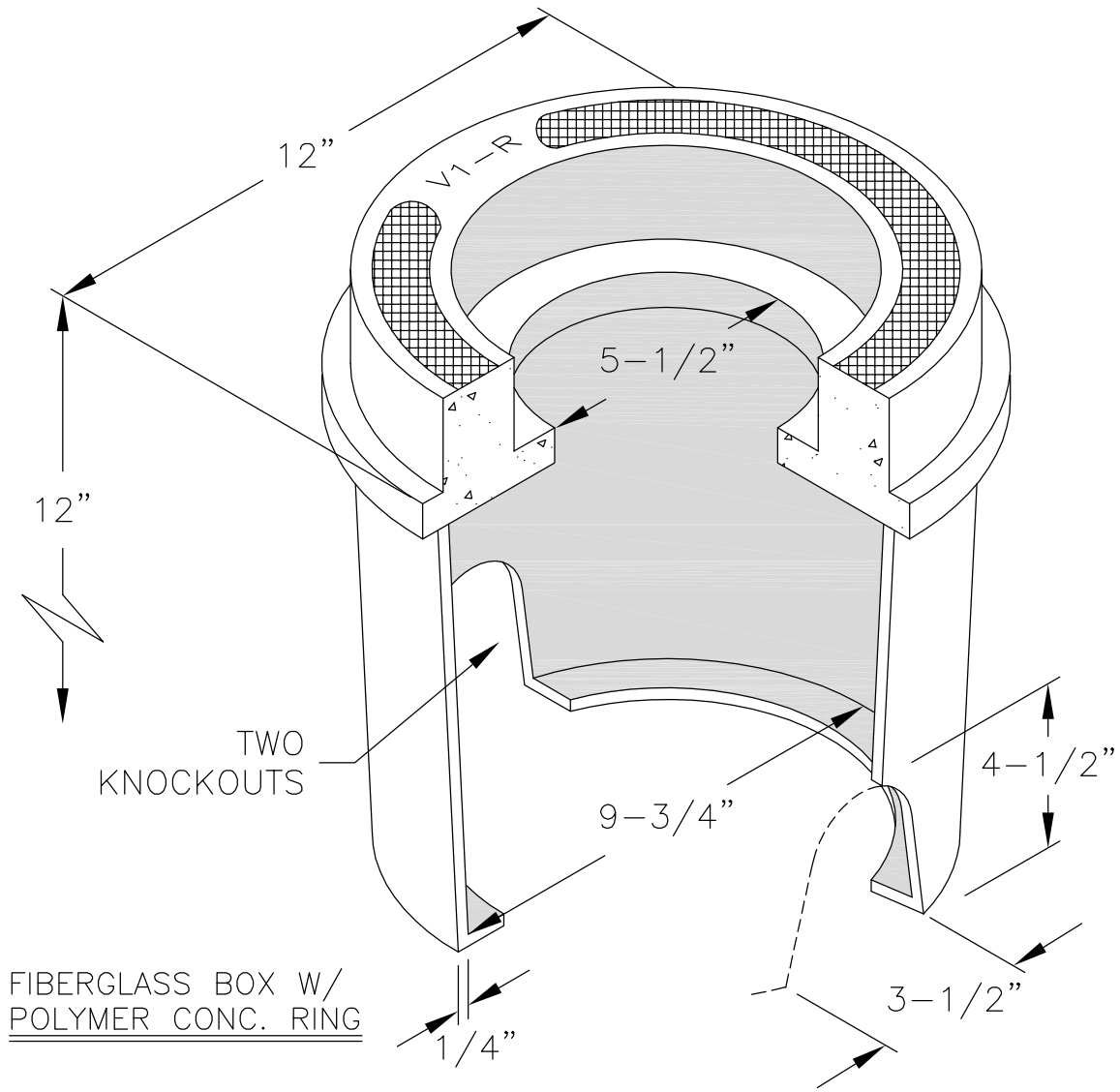


P-V1-R POLYMER
CONCRETE COVER



**P-V1-R SERIES POLYMER
CONCRETE VALVE BOX**

J&R CONCRETE PRODUCTS

440 W. MARKHAM ST.
PERRIS, CA. 92571
PHONE:(951) 943-5855 FAX:(951) 940-9207