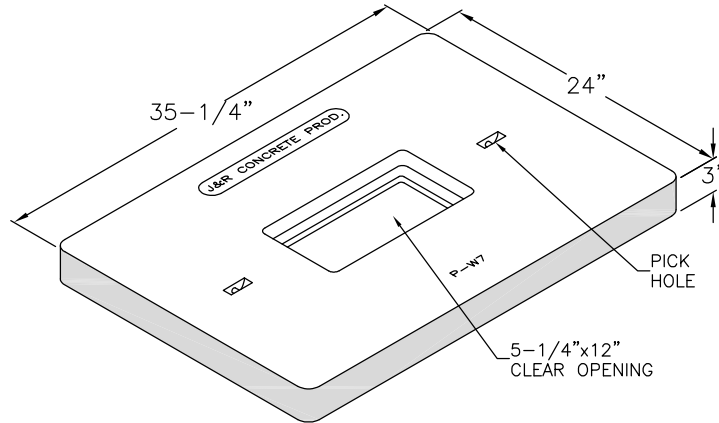
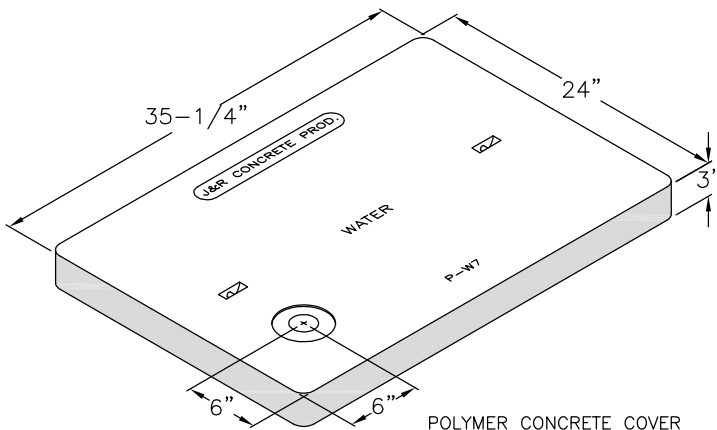


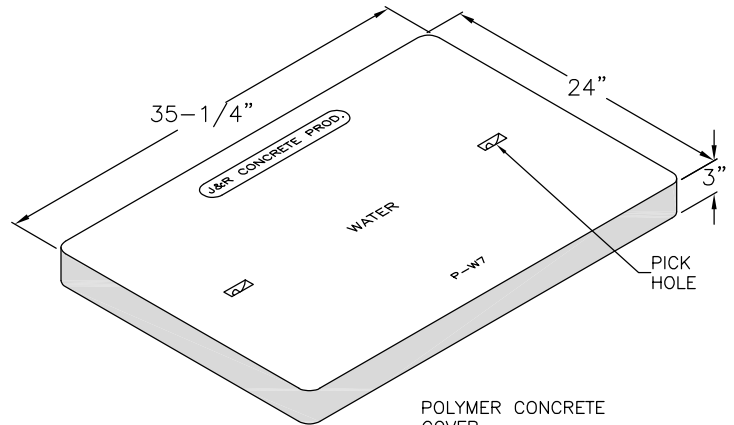
POLYMER CONCRETE
READING LID



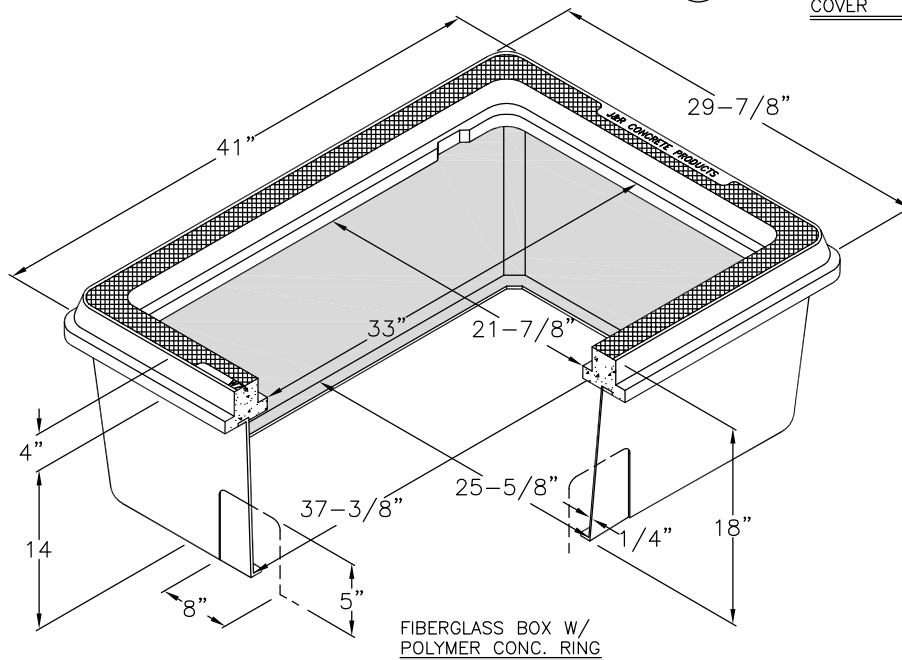
2PC. POLYMER
CONCRETE COVER



POLYMER CONCRETE COVER
W/ QUICK READ PORT



POLYMER CONCRETE
COVER



FIBERGLASS BOX W/
POLYMER CONC. RING

**P-W7 SERIES POLYMER
CONCRETE METER BOX**

J&R CONCRETE PRODUCTS

440 W. MARKHAM ST.
PERRIS, CA. 92571
PHONE:(951) 943-5855 FAX:(951) 940-9207