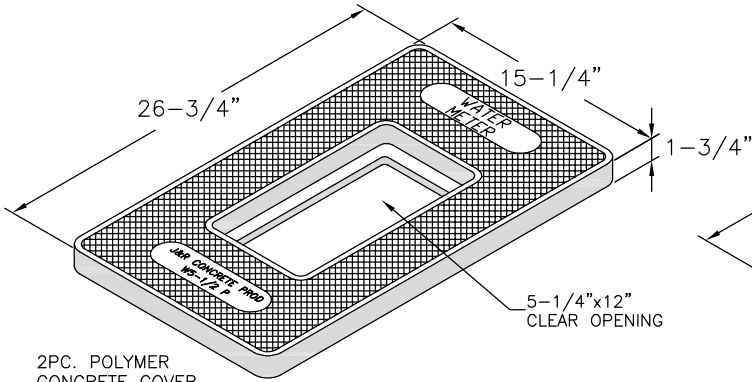
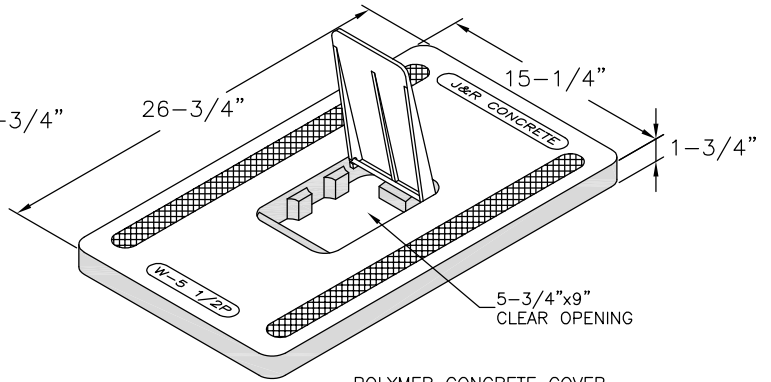


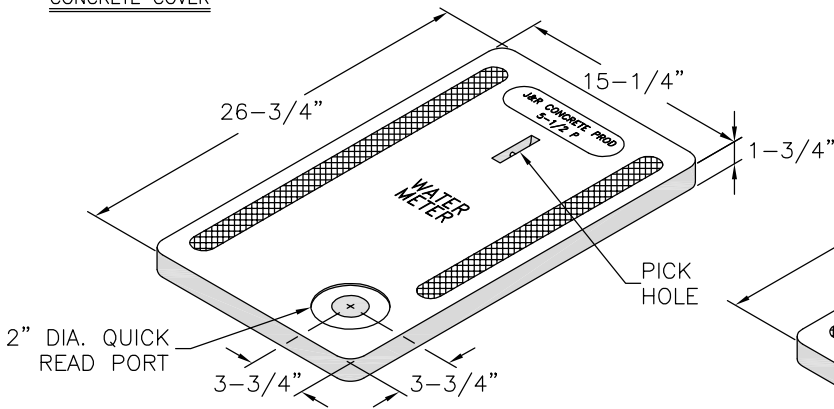
POLYMER CONCRETE READING LID



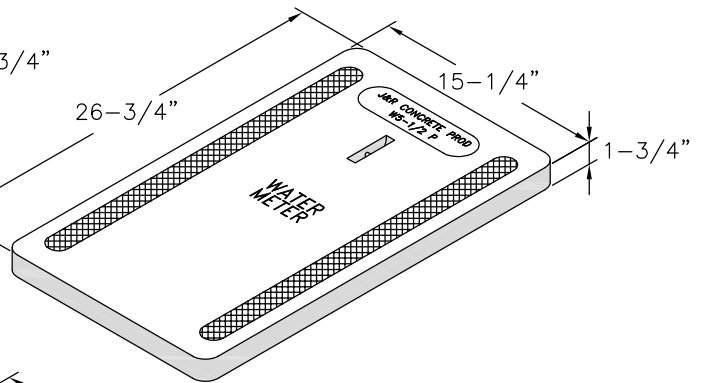
2PC. POLYMER CONCRETE COVER



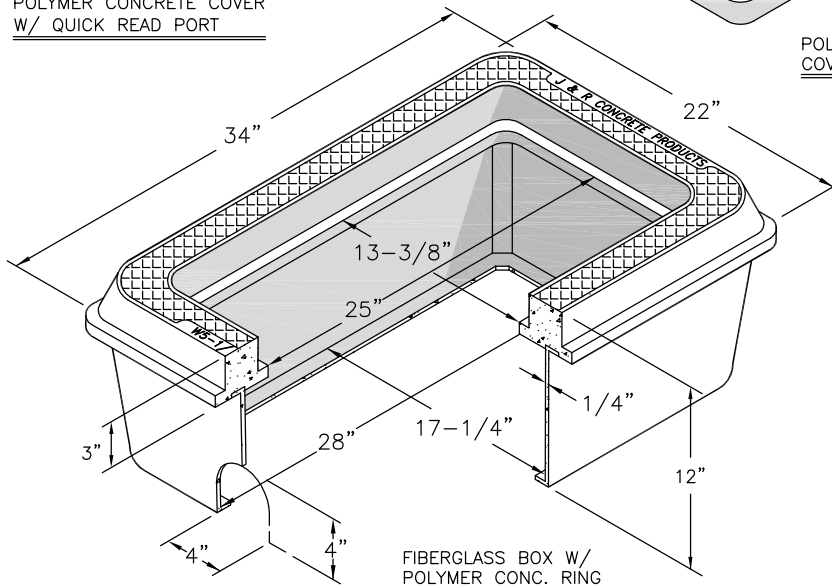
POLYMER CONCRETE COVER WITH POLYMER HINGED LID



POLYMER CONCRETE COVER W/ QUICK READ PORT



POLYMER CONCRETE COVER



FIBERGLASS BOX W/ POLYMER CONC. RING

### P-W5 1/2 SERIES POLYMER CONCRETE METER BOX

### J&R CONCRETE PRODUCTS

440 W. MARKHAM ST.  
PERRIS, CA. 92571  
PHONE:(951) 943-5855 FAX:(951) 940-9207