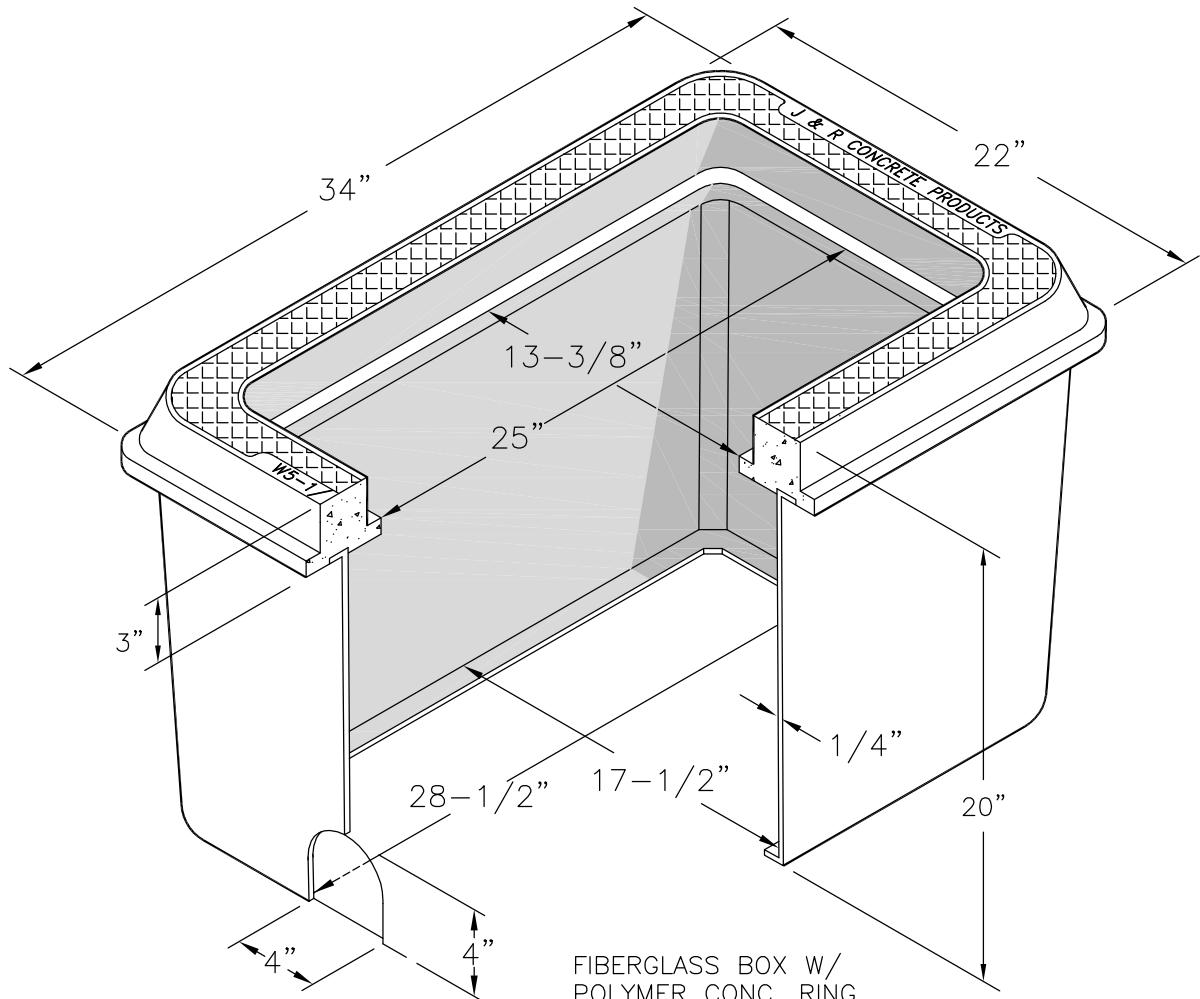


POLYMER CONCRETE COVER

WT: 47lbs.



FIBERGLASS BOX W/
POLYMER CONC. RING

WT: 63lbs.

**P-W5 1/2 SPECIAL SERIES 20" HIGH
POLYMER CONCRETE METER BOX**

J&R CONCRETE PRODUCTS

440 W. MARKHAM ST.
PERRIS, CA. 92571
PHONE:(951) 943-5855 FAX:(951) 940-9207