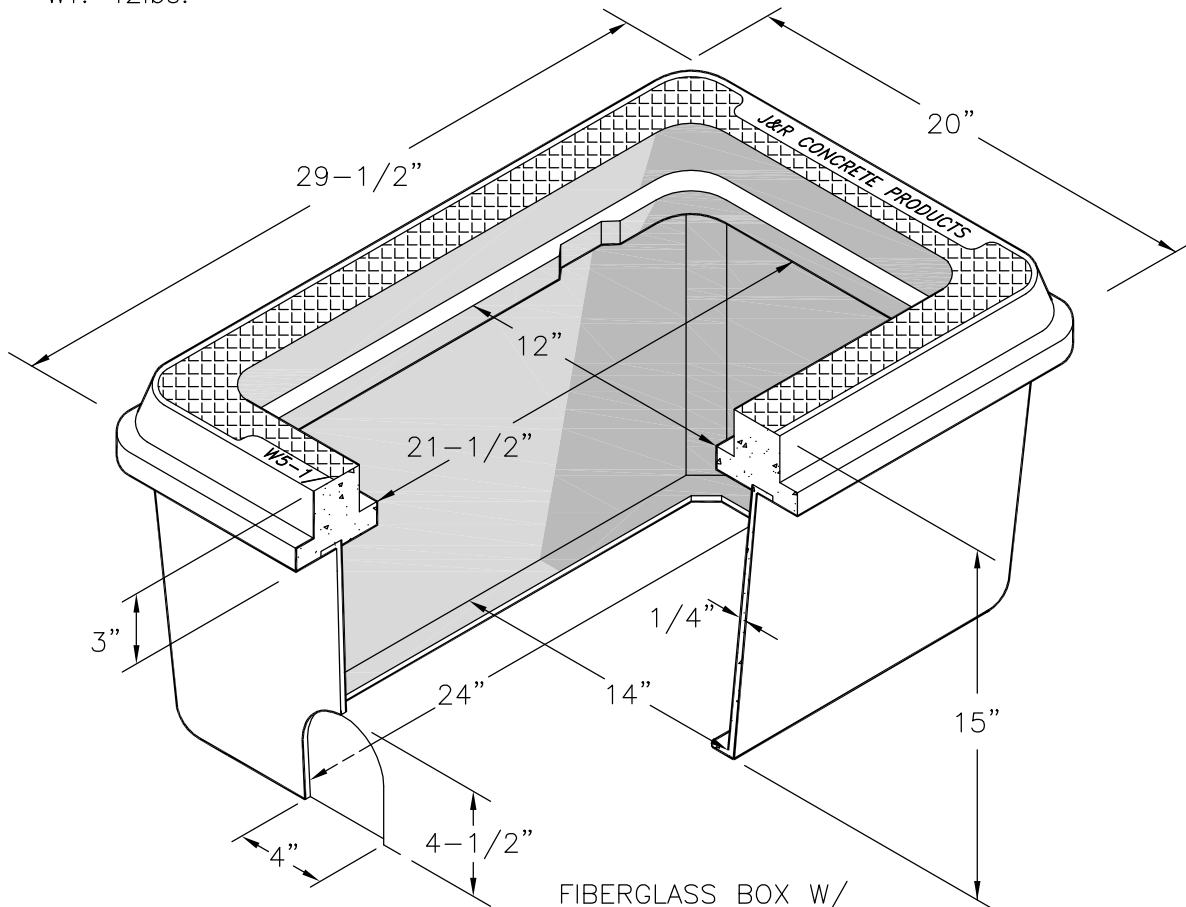


POLYMER CONCRETE COVER

WT: 42lbs.



FIBERGLASS BOX W/  
POLYMER CONC. RING

WT: 54lbs.

**P-W5 1/4 SPECIAL SERIES 15" HIGH  
POLYMER CONCRETE METER BOX**

**J&R CONCRETE PRODUCTS**

440 W. MARKHAM ST.  
PERRIS, CA. 92571  
PHONE:(951) 943-5855 FAX:(951) 940-9207