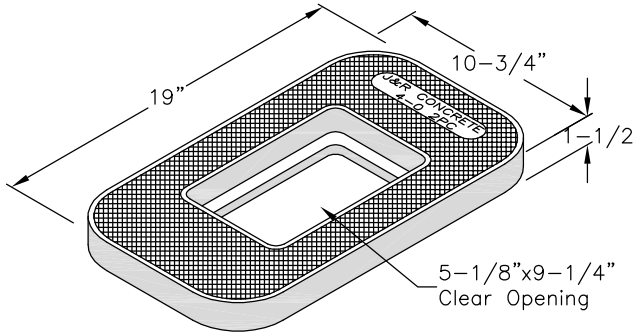
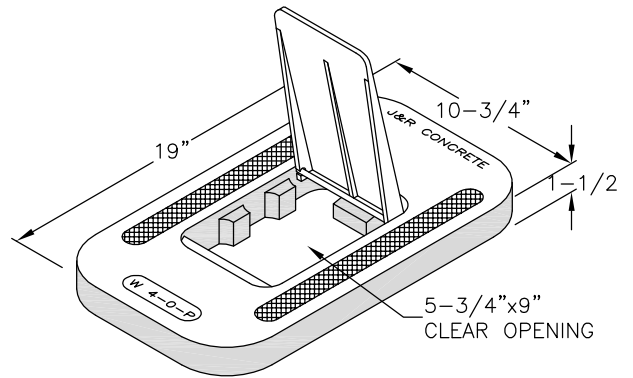


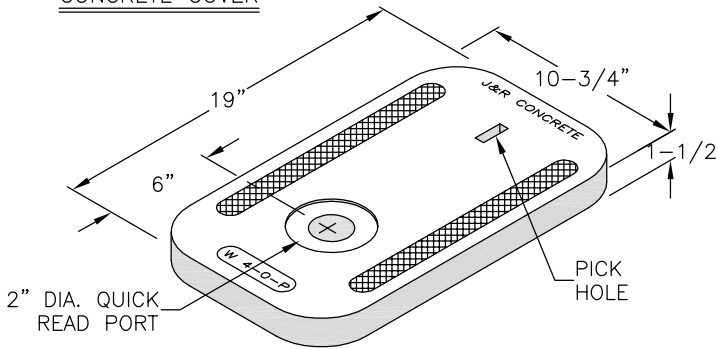
POLYMER CONCRETE  
READING LID



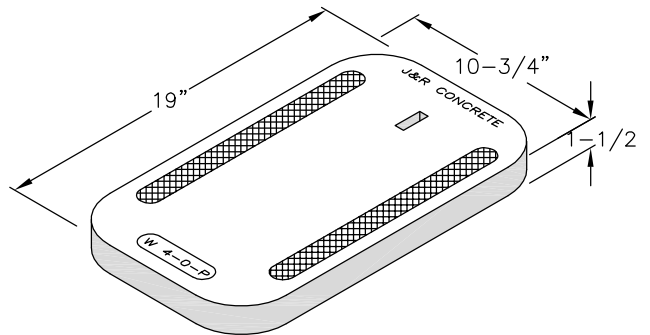
2PC. POLYMER  
CONCRETE COVER



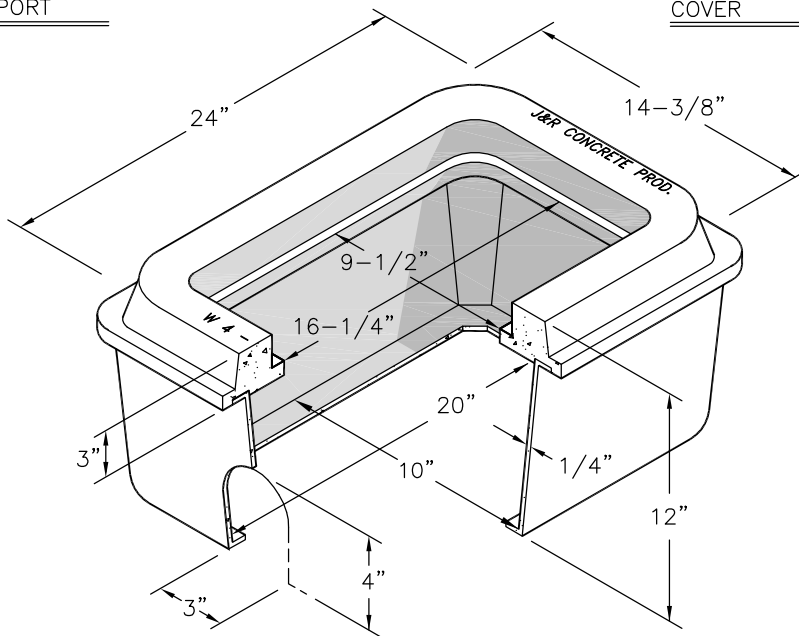
POLYMER CONCRETE COVER  
WITH POLYMER HINGED LID



POLYMER CONCRETE COVER  
W/ QUICK READ PORT



POLYMER CONCRETE  
COVER



FIBERGLASS BOX W/  
POLYMER CONC. RING

## P-W4-0 SERIES POLYMER CONCRETE METER BOX

## J&R CONCRETE PRODUCTS

440 W. MARKHAM ST.  
PERRIS, CA. 92571  
PHONE:(951) 943-5855 FAX:(951) 940-9207