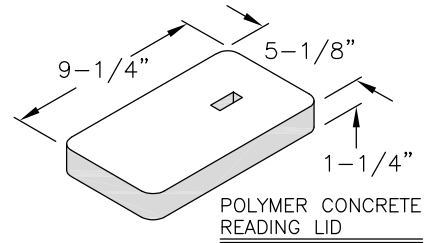
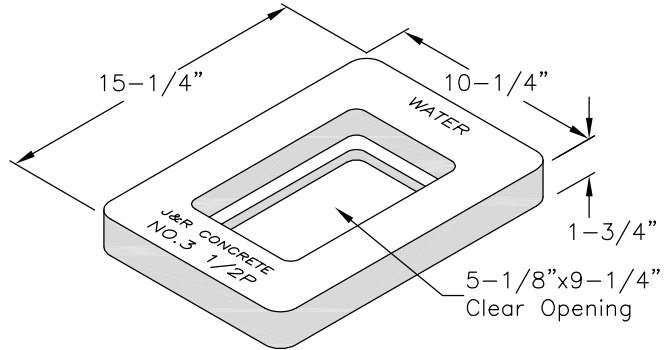


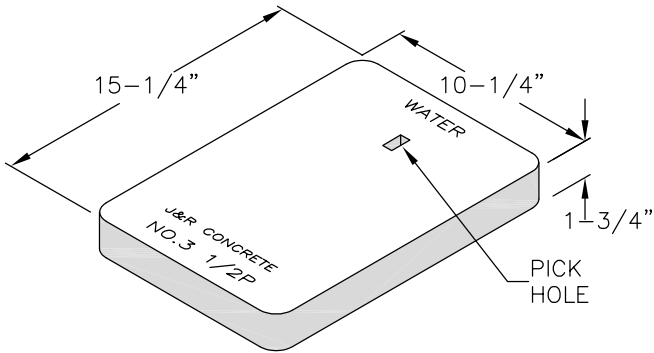
POLYMER CONCRETE COVER WITH POLYMER HINGED LID



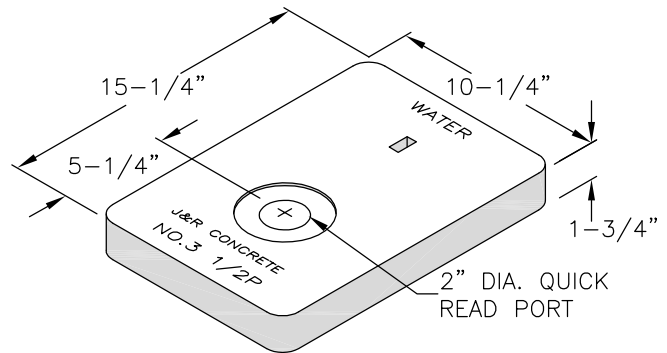
POLYMER CONCRETE READING LID



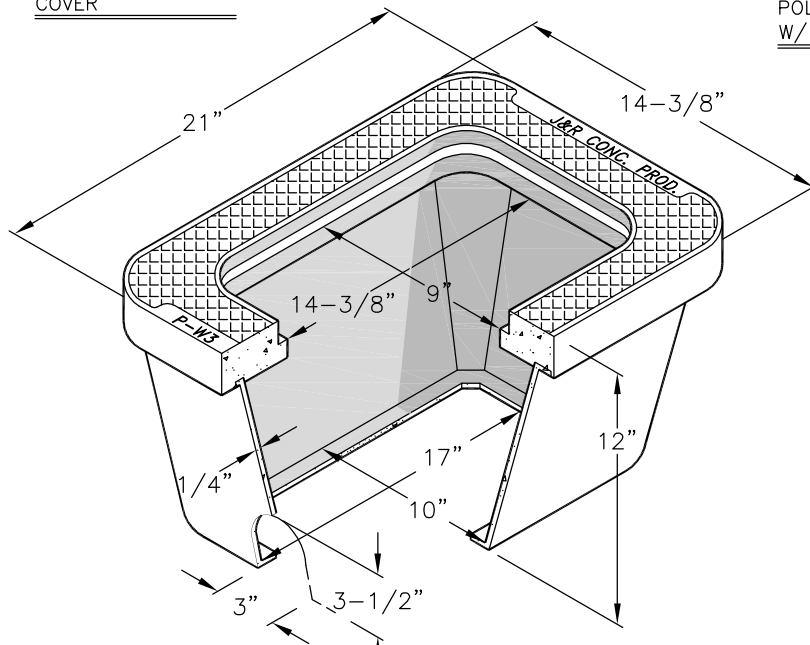
2PC. POLYMER CONCRETE COVER



POLYMER CONCRETE COVER



POLYMER CONCRETE COVER W/ QUICK READ PORT



FIBERGLASS BOX W/ POLYMER CONC. RING

P-W3 1/2 SERIES POLYMER CONCRETE METER BOX

J&R CONCRETE PRODUCTS

440 W. MARKHAM ST.
 PERRIS, CA. 92571
 PHONE:(951) 943-5855 FAX:(951) 940-9207