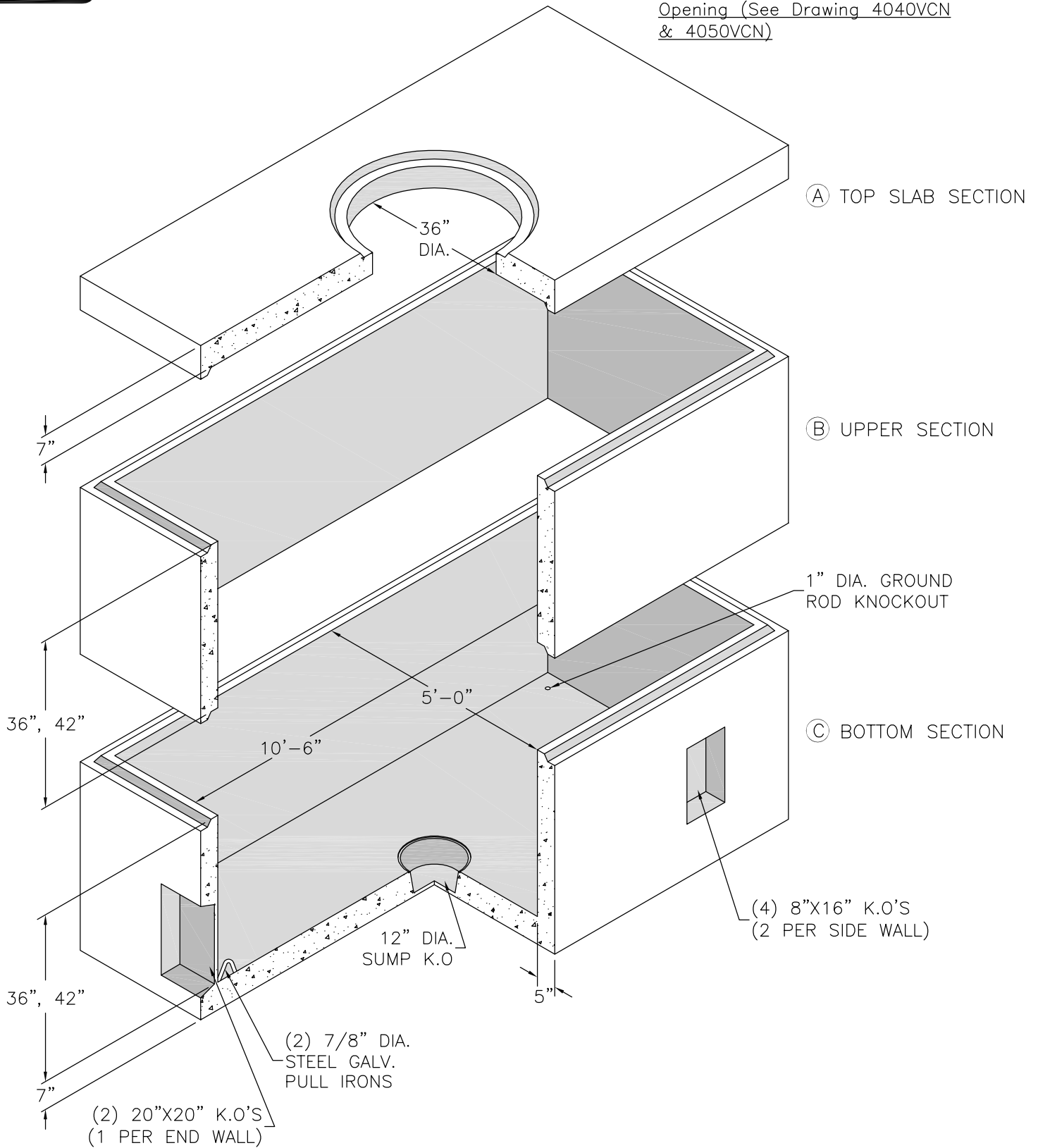


Note:

Also Available w/ 4'X4' or 4'X5' Opening (See Drawing 4040VCN & 4050VCN)



NOTE: Outside Dimensions of M.H.
5'-10"O.D x 11'-4"O.D

**5'-0" X 10'-6" CLOSED BOTTOM
ELECTRICAL MANHOLE VAULT
(SPECIAL DESIGN AVAILABLE)**

Notes:

1. Min. excavation size: 6'-10"x12'-4"x depth req'd.
2. Structures shall be placed on a minimum of 6" of crushed rock or sand.
3. Structures are designed for AASHTO H-20 Wheel Loading.