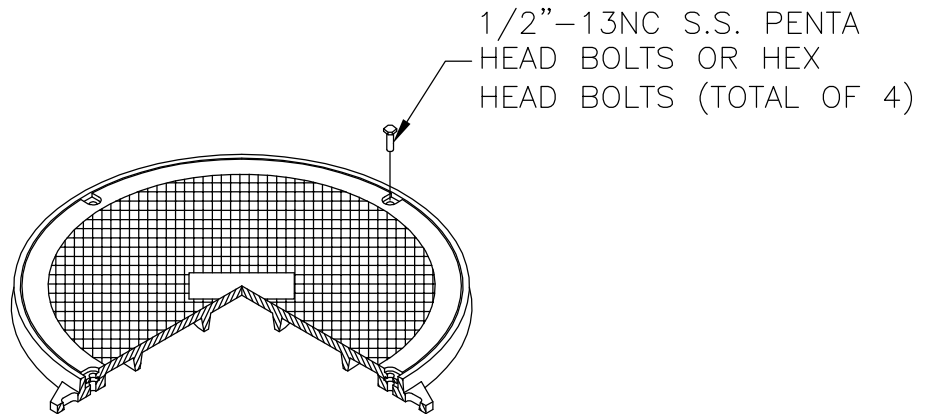
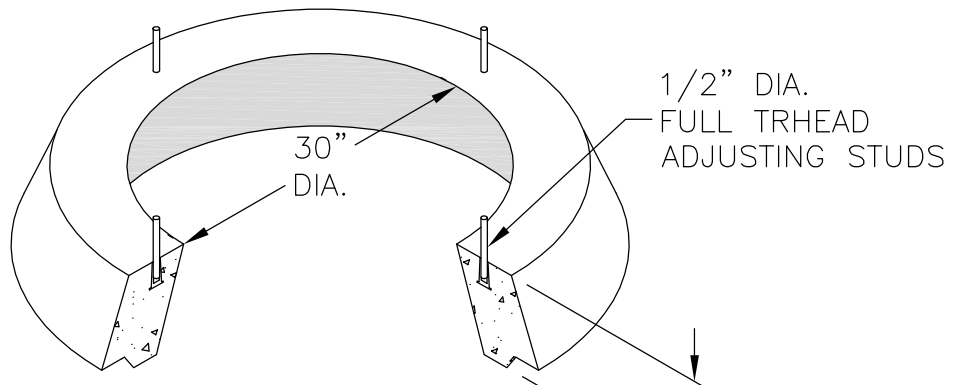


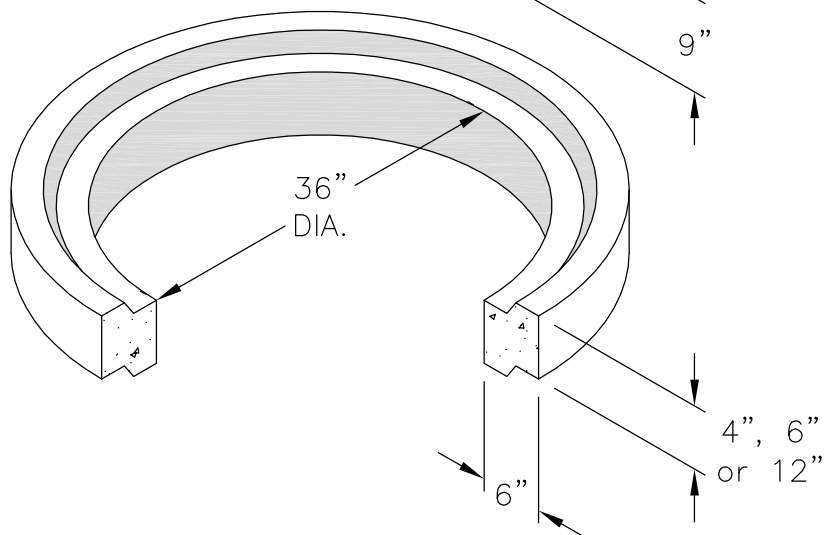
(A) 30" DIA. CAST IRON
FRAME & COVER



(B) 36" TO 30" DIA.
REDUCER CONE



(C) 36" DIA.
GRADE RING



**30MFC SERIES
30" DIAMETER MANHOLE
FRAME & COVER**

Notes:

1. The 30MFC Series Cover, Frame, Cone & Grade Rings Are Designed For AASHTO H-20 Wheel Loading & Are Suitable For Direct Traffic Applications.
2. Grout Between Frame & Cone When Adjusting Studs Are Used. Frame Must Be Fully Supported To Achieve The H-20 Loading.