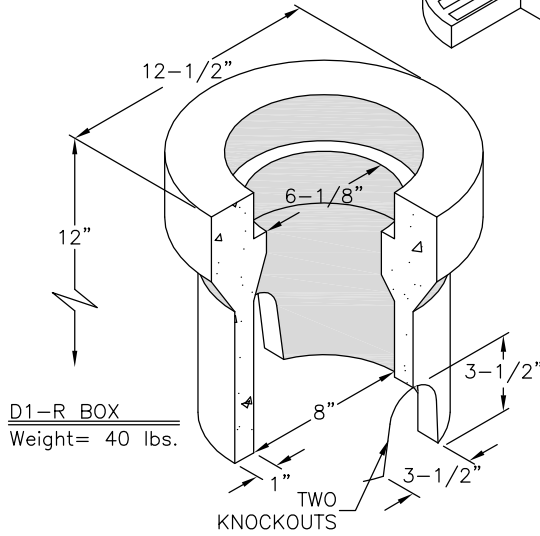
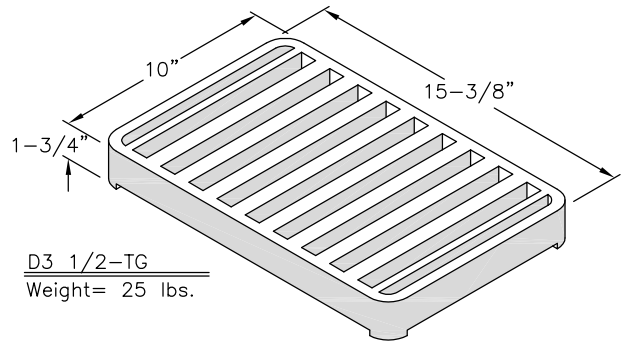


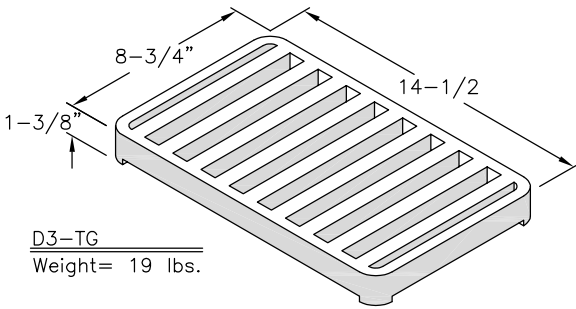
D1-RTG  
Weight= 6 lbs.



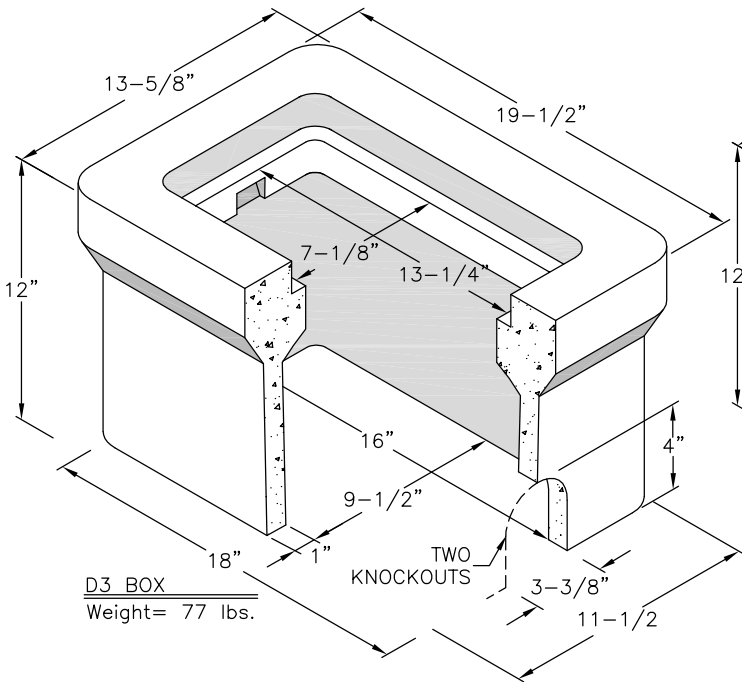
D1-R BOX  
Weight= 40 lbs.



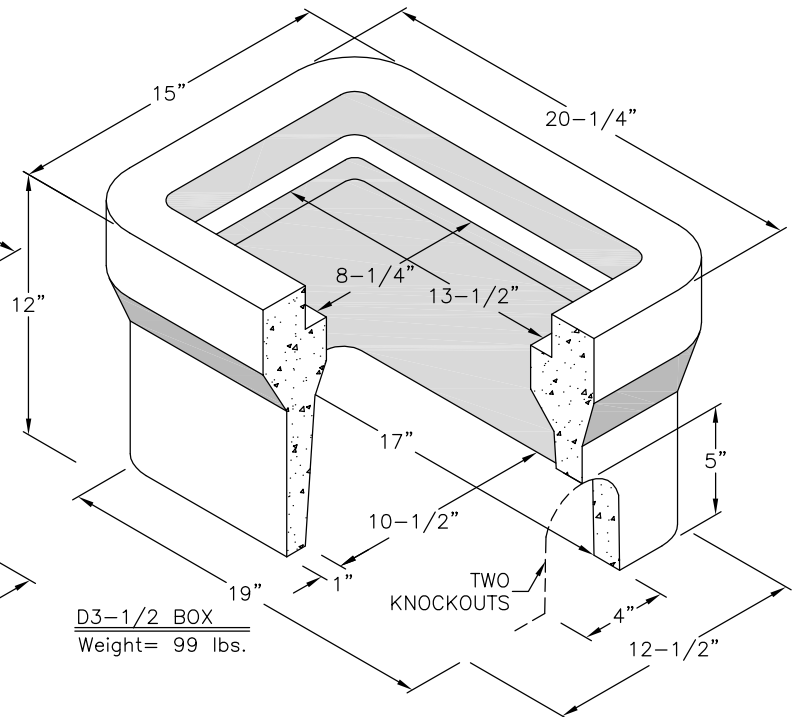
D3 1/2-TG  
Weight= 25 lbs.



D3-TG  
Weight= 19 lbs.



D3 BOX  
Weight= 77 lbs.



D3-1/2 BOX  
Weight= 99 lbs.

**DRAIN BOXES  
W/ CAST IRON GRATE**

**J&R CONCRETE PRODUCTS**

440 W. MARKHAM ST.  
PERRIS, CA. 92571  
PHONE:(951) 943-5855 FAX:(951) 940-9207