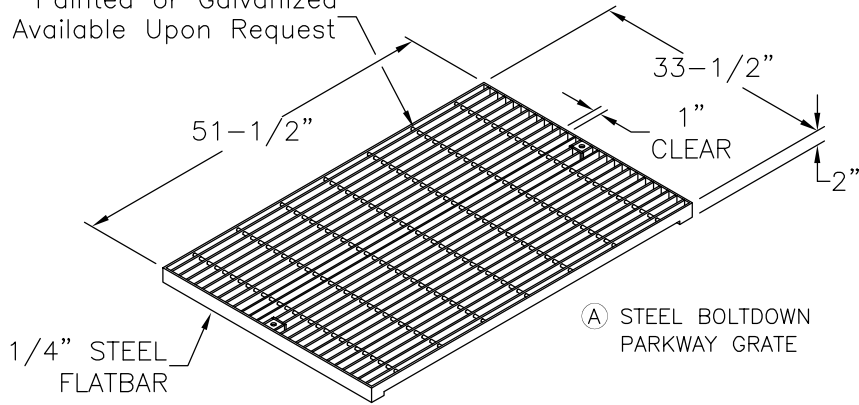
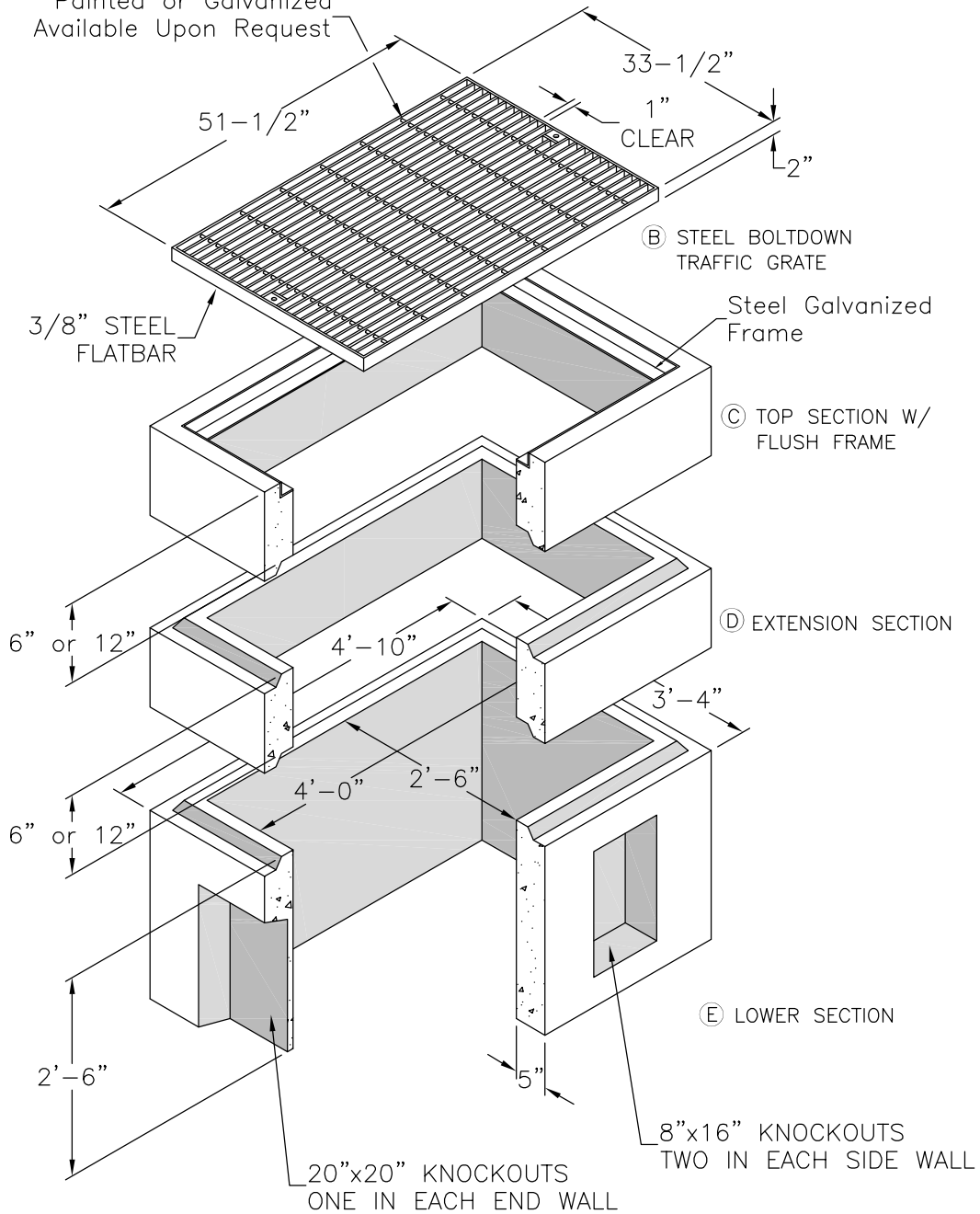


Painted or Galvanized Available Upon Request



Painted or Galvanized Available Upon Request



**Minimum Excavation: 4'-4"x5'-10"xDepth Req'd

**2'-6" X 4'-0" OPEN BOTTOM
CATCH BASIN W/ STEEL
TRAFFIC GRATE or STEEL
PARKWAY GRATE**

NOTES

1. Traffic Grates Are Designed For AASHTO H-20 Wheel Loading, But Are Not Intended For Direct Traffic Installations.
2. Parkway Grates Are Designed For A Live Load of 300 p.s.f