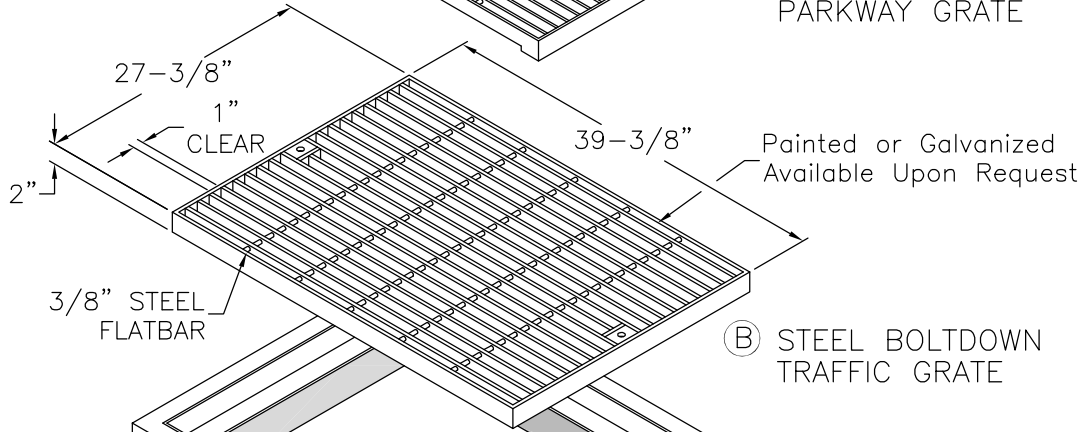
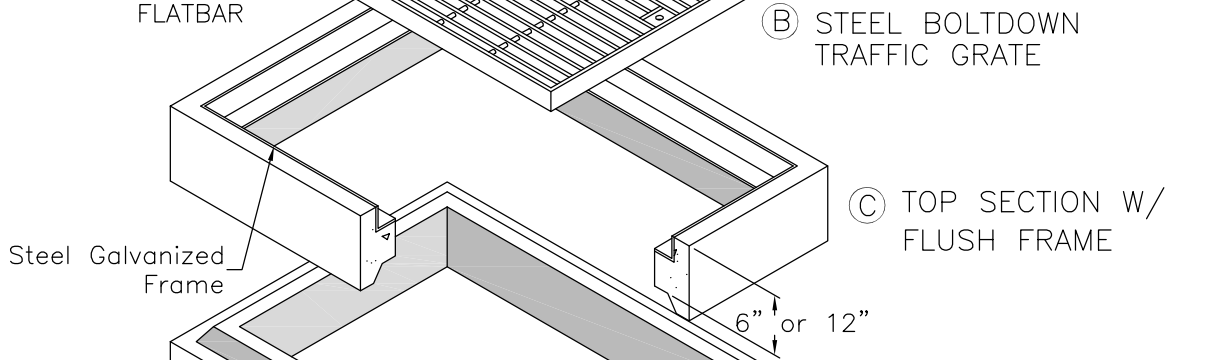


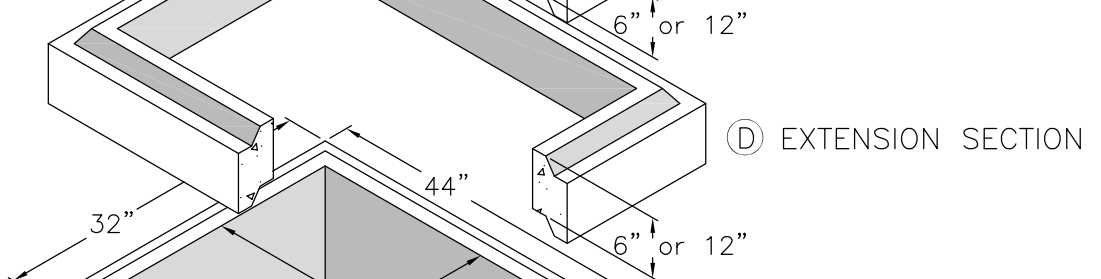
(A) STEEL BOLTDOWN PARKWAY GRATE



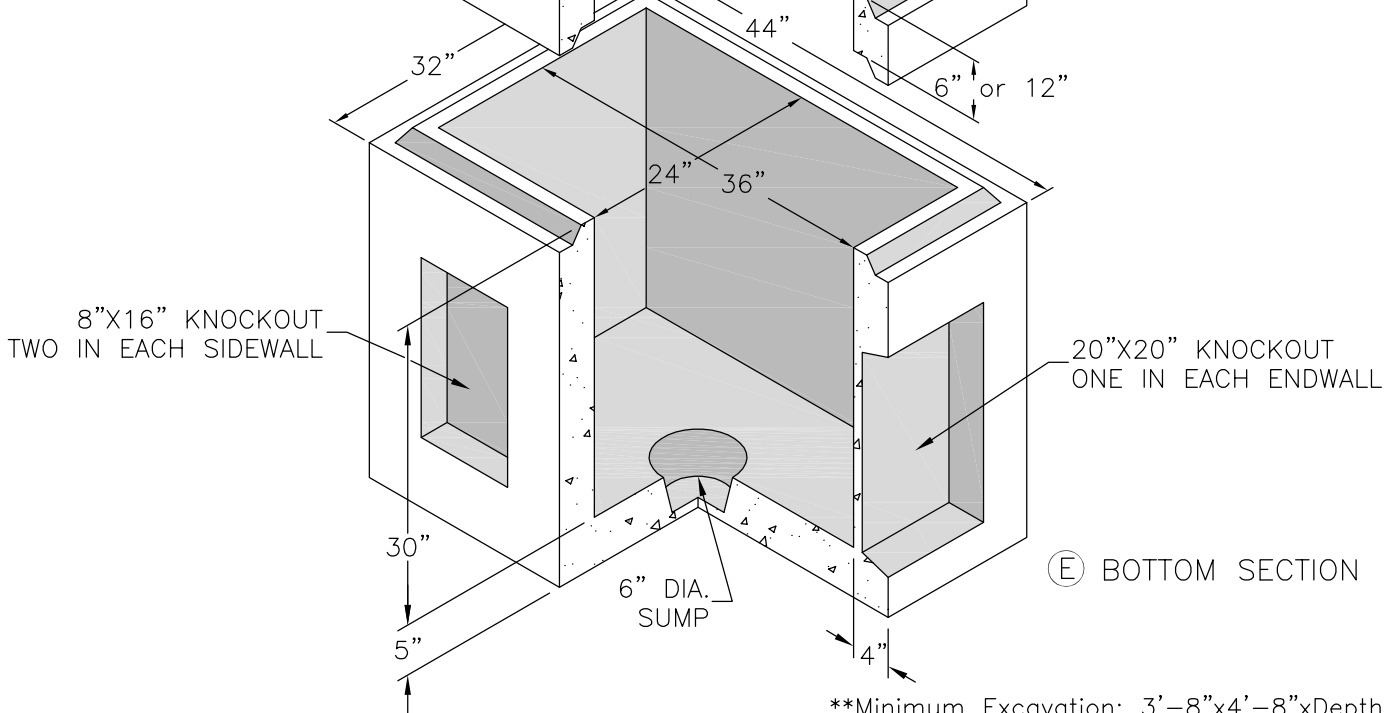
(B) STEEL BOLTDOWN TRAFFIC GRATE



(C) TOP SECTION W/ FLUSH FRAME



(D) EXTENSION SECTION



(E) BOTTOM SECTION

\*\*Minimum Excavation: 3'-8"x4'-8"xDepth Req'd

**2'-0" X 3'-0" CLOSED BOTTOM CATCH BASIN W/ STEEL TRAFFIC GRATE or STEEL PARKWAY GRATE**

**NOTES**

1. Traffic Grates Are Designed For AASHTO H-20 Wheel Loading, But Are Not Intended For Direct Traffic Installations.
2. Parkway Grates Are Designed For A Live Load of 300 p.s.f