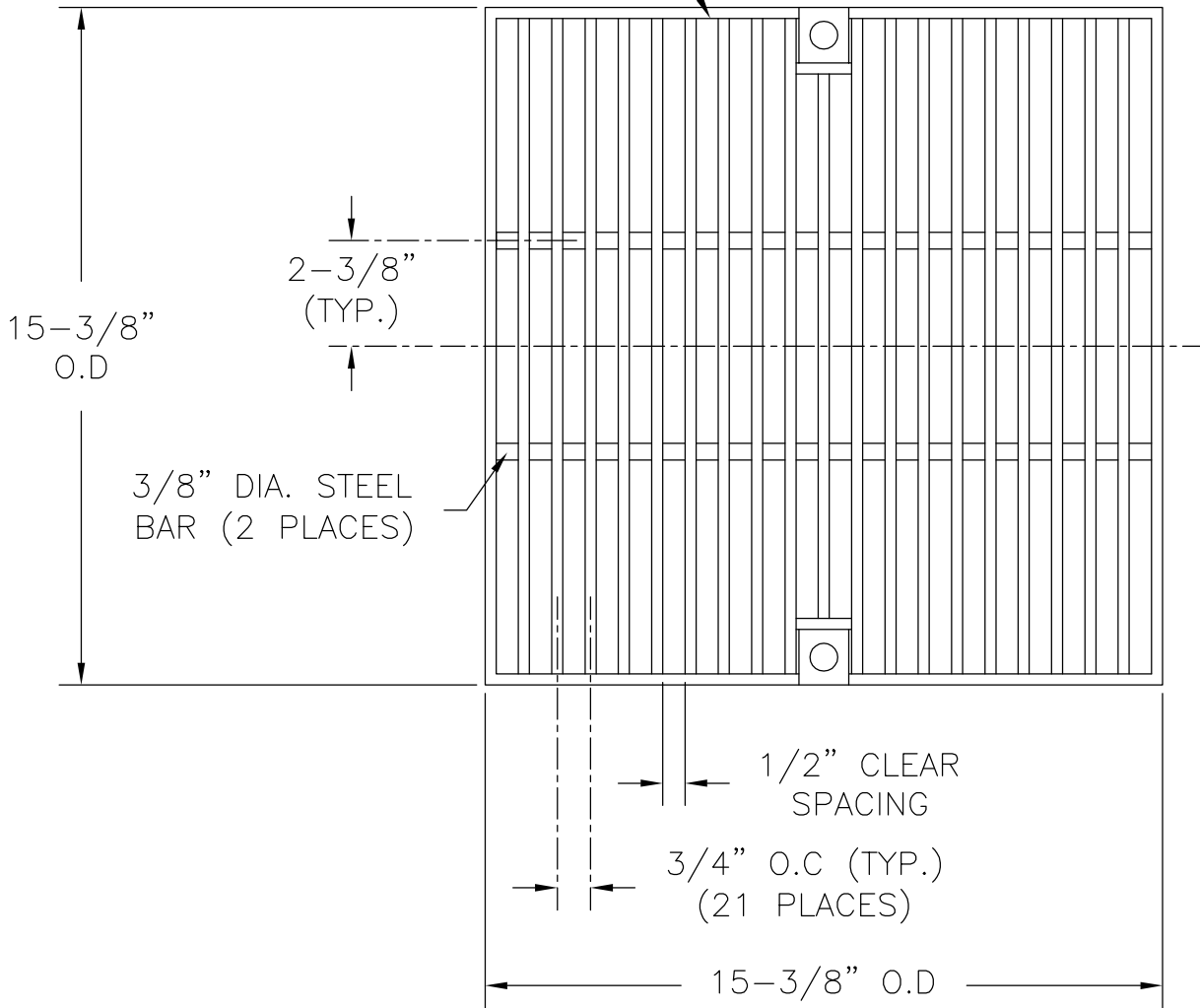
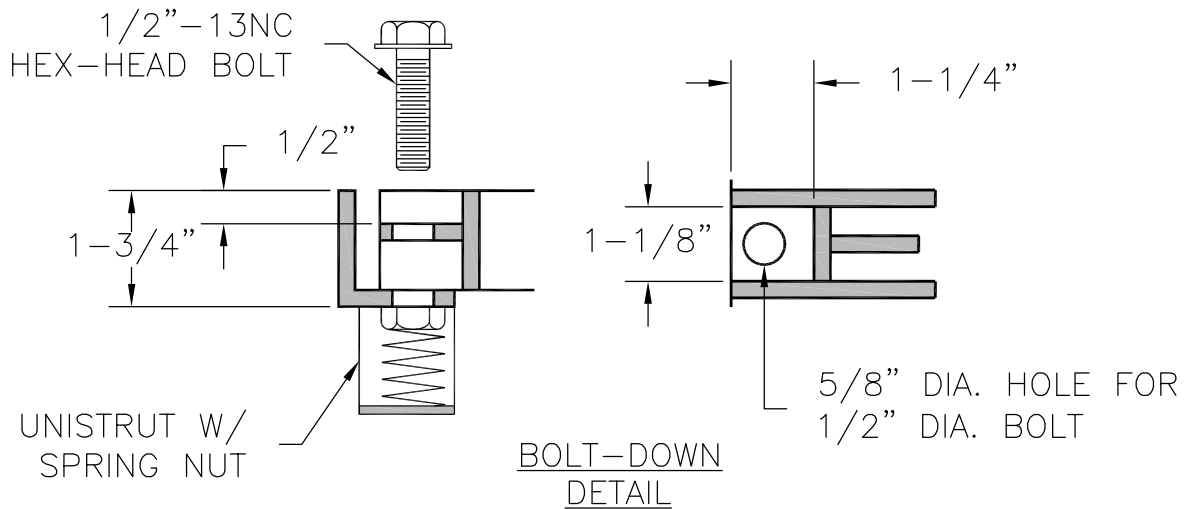


1-1/2" X 1/4" THK.
STEEL FLATBAR



PLAN VIEW



BOLT-DOWN
DETAIL

**12" X 12" STEEL TRAFFIC GRATE
per ADA SPECIFICATIONS**

1. All steel shall conform to ASTM A36.
2. Grate conforms to ADA requirements.
3. Galvanizing is available upon request.
4. Structures are designed for AASHTO H-20 Wheel Loading.