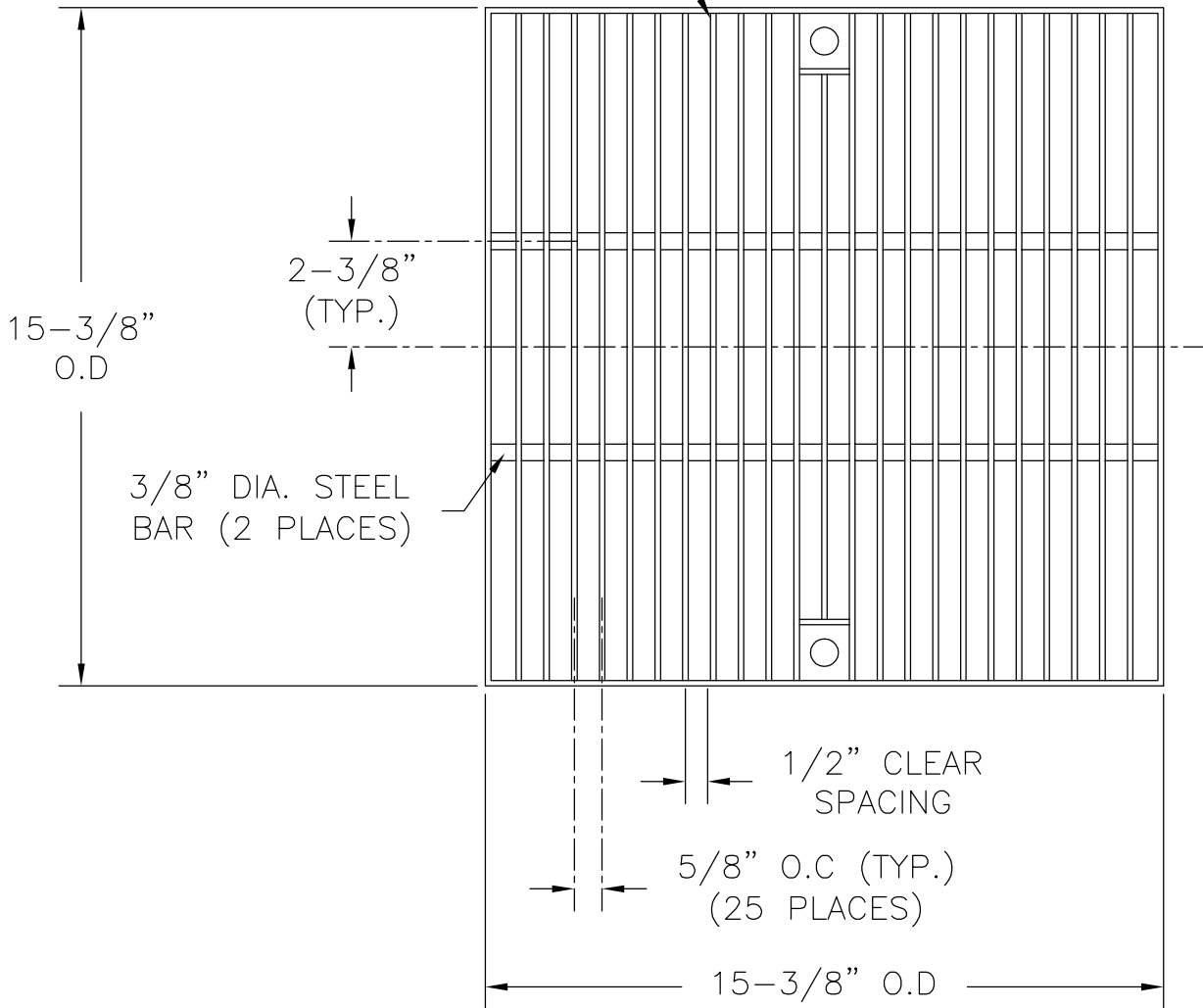
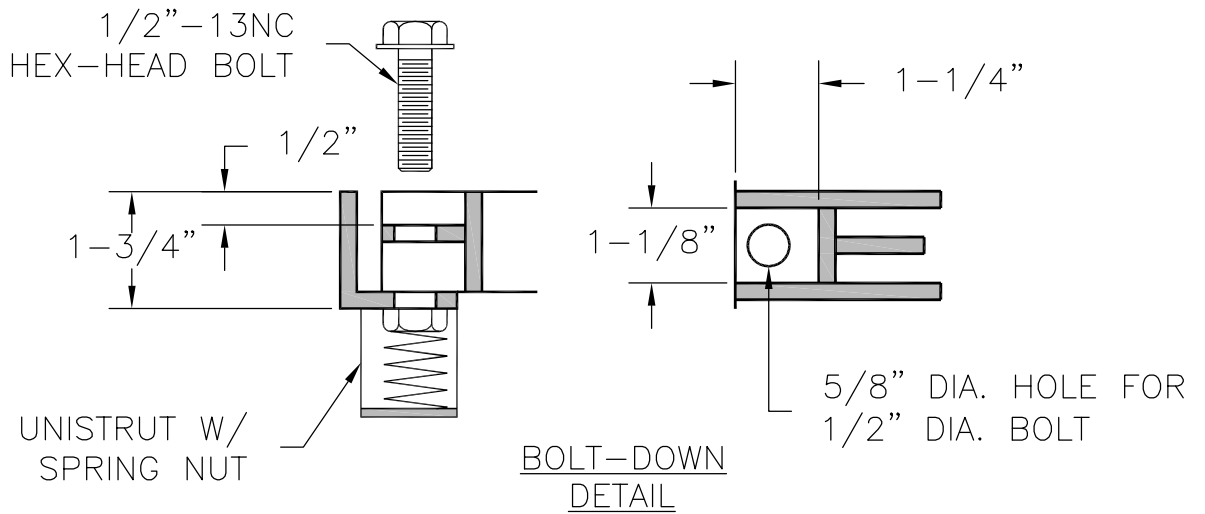


1-1/2" X 1/8" THK.
STEEL FLATBAR



PLAN VIEW



12" X 12" STEEL PARKWAY GRATE
per ADA SPECIFICATIONS

1. All steel shall conform to ASTM A36.
2. Grate conforms to ADA requirements.
3. Galvanizing is available upon request.
4. Structures are designed for 300p.s.f Pedestrian Loading.