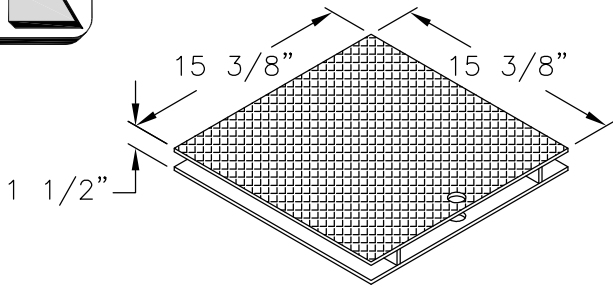
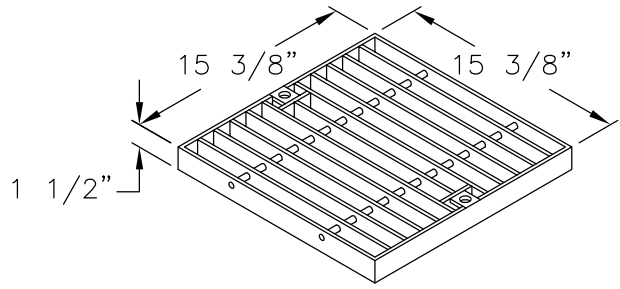


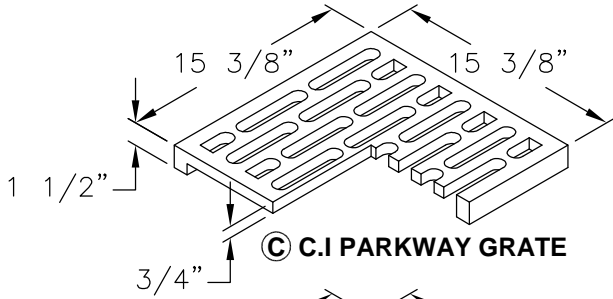
**(A) SOLID STEEL COVER  
(TRAFFIC or PARKWAY)**



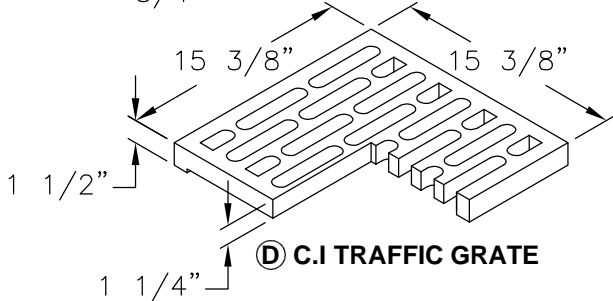
**(B) STEEL GRATE  
(TRAFFIC or PARKWAY)**



**(C) C.I PARKWAY GRATE**

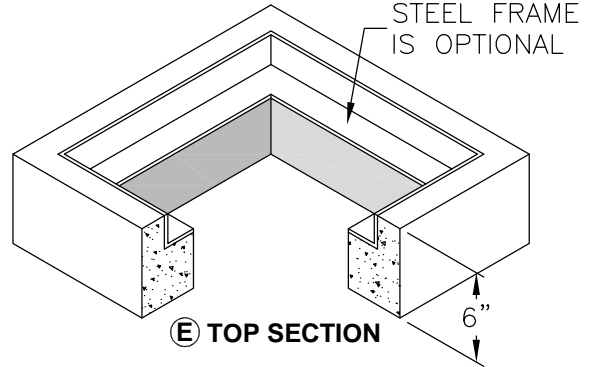


**(D) C.I TRAFFIC GRATE**

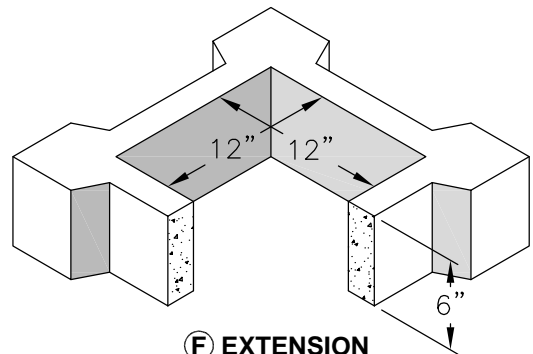


STEEL FRAME IS OPTIONAL

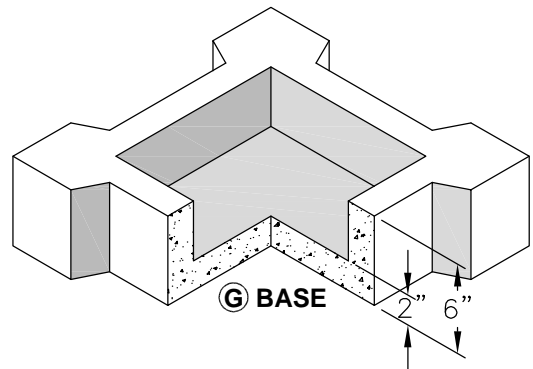
**(E) TOP SECTION**



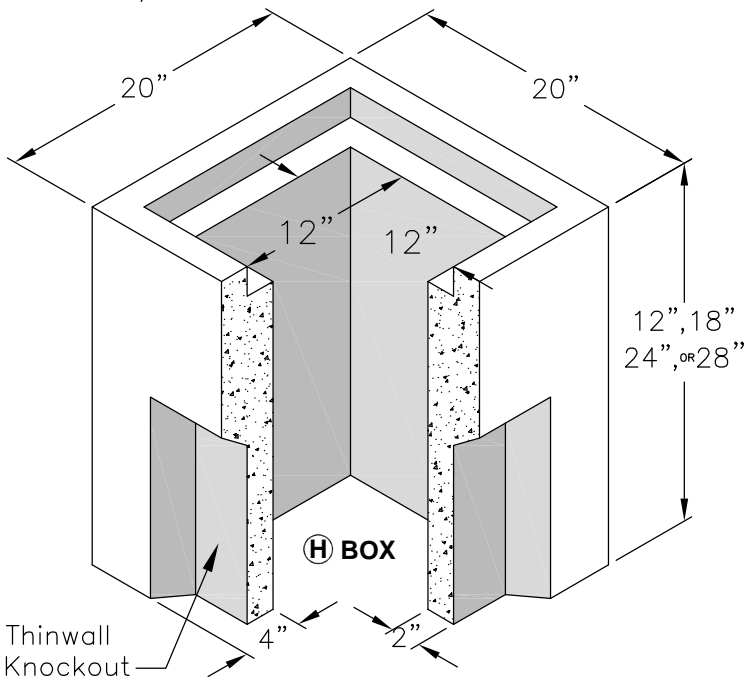
**(F) EXTENSION**



**(G) BASE**



**(H) BOX**



\*Catch Basin Height      \*Knockout Size

12" High.....	8"W X 6"H
18" High.....	8"W X 13"H
24" High.....	7"W X 19"H
28" High.....	7"W X 19"H

**NOTES**

1. Steel Traffic Frames W/ Steel TFC Covers Or Steel TFC Grates Are Designed For AASHTO H-20 Wheel Loading, But Are Not Intended For Direct Traffic Installations.
2. Steel Frames W/ Steel Parkway Covers Or Steel Parkway Grates, Are Designed For A Live Load Of 300 p.s.f.
3. Cast Iron Traffic Grates Are Designed For AASHTO H-10 Wheel Loading, But Are Not Intended For Direct Traffic Installations
4. Cast Iron Parkway Grates Are Designed For 300 p.s.f Wheel Loading.

**CB1212 SERIES  
12" X 12" CATCH BASIN**